



产品说明书

ZJ、ZJL系列渣浆泵

通过ISO9001: 2000质量管理体系认证

# 神龙泵业

SHENLONG PUMP



郑州市神龙泵业有限公司  
ZHENGZHOU SHENLONG SUBMERSIBLE PUMP CO., LTD.



**Zj型渣浆泵直联传动清水性能**

型号 Type	转速 Speed n	流量 Capacity Q	扬程 Head H	轴功率 Power Pa	效率 Eff. η	必需气蚀余量 (NPSH)r	配套电机 Motors	
	r/min	m <sup>3</sup> /h	m	KW	%		型号 Type	功率/电压 Power/Volt
								KW/V
300ZJ-100A	590	913	65.2	243.0	66.7	4.1	Y450-10	315/6000
		1785	59.7	361.0	80.4		Y500-10	450/6000
		1826	59.3	365.4	80.7		Y500-10	450/6000
	490	758	45.0	139.3	66.7	3.0	Y450-12	185/6000
		1482	41.2	206.8	80.4		Y450-12	250/6000
		1517	40.9	209.4	80.7		Y450-12	250/6000
300ZJ-95A	590	867	58.8	217.9	63.7	4.1	Y450-10	280/6000
		1696	53.9	321.6	77.4		Y500-10	400/6000
		1735	53.5	325.3	77.7		Y500-10	400/6000
	490	720	40.6	125.0	63.7	3.0	Y450-12	185/6000
		1408	37.2	184.3	77.4		Y450-12	220/6000
		1441	36.9	186.4	77.7		Y450-12	220/6000
300ZJ-90A	730	922	79.9	290.3	69.1	5.7	Y450-8	355/6000
		1648	73.6	410.3	80.5		Y500-8	500/6000
		1844	70.7	436.2	81.4		Y500-8	560/6000
	590	745	52.2	153.3	69.1	3.9	Y450-10	185/6000
		1332	48.1	216.7	80.5		Y450-10	280/6000
		1490	46.2	230.3	81.4		Y450-10	280/6000
300ZJ-85A	730	871	71.3	255.9	66.1	5.6	Y450-8	315/6000
		1556	65.6	358.7	77.5		Y450-8	450/6000
		1742	63.1	381.8	78.4		Y450-8	450/6000
	590	704	46.6	135.2	66.1	3.8	Y355L2-10	160/380
		1258	42.9	189.6	77.5		Y450-10	220/6000
		1408	41.2	201.5	78.4		Y450-10	250/6000
300ZJ-70A	980	1269	76.8	368.6	72.0	7.0	Y450-6	450/380
		2118	66.7	480.9	80.0		Y450-6	630/6000
		2333	64.0	505.8	80.4		Y450-6	630/6000
	730	945	42.6	152.3	72.0	3.9	Y355L1-8	185/380
		1578	37.0	198.8	80.0		Y400-8	250/6000
		1738	35.5	209.0	80.4		Y400-8	250/6000
300ZJ-65A	980	1178	66.2	307.8	69.0	6.6	Y450-6	400/6000
		1967	57.5	400.0	77.0		Y450-6	500/6000
		2166	55.2	420.7	77.4		Y450-6	500/6000
	730	877	36.7	127.0	69.0	3.7	Y355M2-8	160/380
		1465	31.9	165.3	77.0		Y355L2-8	200/380
		1614	30.6	173.8	77.4		Y400-8	220/6000
300ZJ-56A	980	789	46.0	148.6	66.5	5.5	Y355M2-6	185/380
		1415	40.8	195.6	80.4		Y355L2-6	250/380
		1568	38.8	204.8	80.9		Y355L2-6	250/380
	730	588	25.5	61.4	66.5	3.5	Y315M-8	75/380
		1054	22.6	80.7	80.4		Y315L2-8	110/380
		1168	21.5	84.5	80.9		Y315L2-8	110/380



**ZJ型渣浆泵直联传动清水性能**

型号 Type	转速 Speed n	流量 Capacity Q	扬程 Head H	轴功率 Power Pa	效率 Eff. η	必需汽蚀余量 (NPSH)r	配套电机 Motors	
							型号 Type	功率/电压 Power/Volt
	r/min	m <sup>3</sup> /h	m	KW	%	m		KW/V
250ZJ-103A	730	734	110.5	366.3	60.3	4.3	Y450-8	450/6000
		1067	106.70	455.5	69.6		Y500-8	560/6000
		1573	98.9	568.7	74.5		Y500-8	710/6000
	590	593	72.2	193.4	60.3	2.8	Y450-10	250/6000
		862	69.7	235.1	69.6		Y450-10	280/6000
		1271	64.6	300.1	74.5		Y450-10	355/6000
250ZJ-96A	730	736	93.7	290.7	64.6	5.5	Y450-8	355/6000
		1076	90.0	356.4	74.0		Y450-8	450/6000
		1466	84.5	433.6	77.8		Y500-8	560/6000
	590	595	61.2	153.5	64.6	3.5	Y450-10	185/6000
		870	58.8	188.3	74.0		Y450-10	250/6000
		1185	55.2	229.0	77.8		Y450-10	280/6000
250ZJ-90A	730	690	82.4	255.5	60.6	5.3	Y450-8	315/6000
		1009	79.1	310.5	70.0		Y450-8	400/6000
		1374	74.3	376.7	73.8		Y450-8	450/6000
	590	558	53.8	134.9	60.6	3.4	Y355L2-10	160/380
		816	51.7	164.1	70.0		Y450-10	200/6000
		1111	48.5	198.8	73.8		Y450-10	250/6000
250ZJ-85A	980	752	128.7	446.0	59.1	5.5	Y450-6	560/6000
		1248	124.4	587.2	72.0		Y500-6	710/6000
		1504	120.4	652.3	75.6		Y500-6	800/6000
	730	560	71.4	184.2	59.1	3.5	Y400-8	220/6000
		930	69.0	242.7	72.0		Y450-8	315/6000
		1120	66.8	269.5	75.6		Y450-8	315/6000
250ZJ-83A	980	734	122.7	422.1	58.1	5.5	Y450-6	500/6000
		1219	118.6	554.5	71.0		Y500-6	710/6000
		1469	114.8	615.6	74.6		Y500-6	800/6000
	730	547	68.1	174.6	58.1	3.5	Y400-8	220/6000
		908	65.8	229.2	71.0		Y400-8	280/6000
		1094	63.7	254.4	74.6		Y450-8	315/6000
250ZJ-80A	980	708	114.0	391.8	56.1	5.4	Y450-6	500/6000
		1175	110.2	511.1	69.0		Y450-6	630/6000
		1416	106.7	566.7	72.6		Y500-6	710/6000
	730	527	63.2	161.7	56.1	3.4	Y400-8	200/6000
		875	61.1	211.0	69.0		Y400-8	280/6000
		1054	59.2	234.1	72.6		Y400-8	280/6000
250ZJ-78A	980	690	108.4	376.5	54.1	5.1	Y450-6	450/6000
		1145	104.8	487.7	67.0		Y450-6	630/6000
		1380	101.4	539.8	70.6		Y450-6	630/6000
	730	514	60.1	155.5	54.1	3.2	Y355L1-8	185/380
		853	58.1	201.4	67.0		Y400-8	250/6000
		1028	56.3	223.3	70.6		Y400-8	280/6000

**ZJ型渣浆泵直联传动清水性能**

型号 Type	转速 Speed n	流量 Capacity Q	扬程 Head H	轴功率 Power Pa	效率 Eff. η	必需汽蚀余量 (NPSH) <sub>r</sub>	配套电机 Motors	
							型号 Type	功率/电压 Power/Volt
	r/min	m <sup>3</sup> /h	m	KW	%	m		KW/V
250ZJ-75A	980	600	97.5	255.7	62.3	4.1	Y400-6	315/6000
		1100	92.0	362.6	76.0		Y450-6	450/6000
		1480	83.2	443.6	75.6		Y450-6	560/6000
	730	447	54.1	105.7	62.3	3.0	Y355M1-8	132/380
		819	51.0	149.7	76.0		Y355L1-8	185/380
		1102	46.2	183.4	75.6		Y400-8	220/6000
250ZJ-73A	980	584	92.4	239.7	61.3	4.1	Y400-6	280/6000
		1071	87.2	339.1	75.0		Y400-6	400/6000
		1441	78.8	414.5	74.6		Y450-6	500/6000
	730	435	51.3	99.1	61.3	3.0	Y355M1-8	132/380
		797	48.3	139.8	75.0		Y355L1-8	185/380
		1073	43.8	171.6	74.6		Y355L2-8	200/380
250ZJ-70A	980	560	84.9	218.3	59.3	3.9	Y400-6	280/6000
		1027	80.1	306.9	73.0		Y400-6	400/6000
		1381	72.5	375.6	72.6		Y450-6	450/6000
	730	417	47.1	90.2	59.3	2.9	Y315L2-8	110/380
		764	44.4	126.5	73.0		Y355M2-8	160/380
		1029	40.2	155.2	72.6		Y355L1-8	185/380
250ZJ-68A	980	544	80.1	203.5	58.3	3.7	Y355-6	250/6000
		997	75.6	285.1	72.0		Y400-6	355/6000
		1342	68.4	349.1	71.6		Y450-6	450/6000
	730	405	44.5	84.2	58.3	2.7	Y315L2-8	110/380
		743	41.9	117.8	72.0		Y355M2-8	160/380
		999	38.0	144.4	71.6		Y355L1-8	185/380
250ZJ-65A	980	597	71.0	178.1	64.8	4.5	Y355-6	220/6000
		970	66.2	233.2	75.0		Y400-6	280/6000
		1249	61.4	271.6	76.9		Y400-6	315/6000
	730	445	39.4	73.7	64.8	3.0	Y315L1-8	90/380
		723	36.7	96.3	75.0		Y355M1-8	132/380
		930	34.1	112.3	76.9		Y355M1-8	132/380
250ZJ-63A	980	579	66.7	164.8	63.8	4.5	Y355-6	200/6000
		940	62.2	215.2	74.0		Y355-6	250/6000
		1211	57.7	250.7	75.9		Y400-6	315/6000
	730	431	37.0	68.1	63.8	3.0	Y315L1-8	90/380
		701	34.5	89.0	74.0		Y315L2-8	110/380
		901	32.0	103.4	75.9		Y315M1-8	132/380
250ZJ-60A	980	551	60.5	146.9	61.8	4.2	Y355M2-6	185/380
		895	56.4	190.9	72.0		Y355L2-6	250/380
		1153	52.3	222.2	73.9		Y400-6	280/6000
	730	411	33.6	60.7	61.8	2.8	Y315M-8	75/380
		667	31.3	79.0	72.0		Y315L2-8	110/380
		858	29.1	92.0	73.9		Y315L2-8	110/380

● ZJ型渣浆泵直联传动清水性能

型号 Type	转速 Speed n r/min	流量 Capacity Q m <sup>3</sup> /h	扬程 Head H m	轴功率 Power Pa KW	效率 Eff. η %	必需汽蚀余量 (NPSH) <sub>r</sub> m	配套电机 Motors	
							型号 Type	功率/电压 Power/Volt KW/V
200ZJ-85A	980	441	133.7	321.1	50.0	5.0	Y400-6	400/6000
		858	128.2	437.9	68.4		Y450-6	560/6000
		907	127.9	448.1	70.5		Y450-6	560/6000
	730	329	74.2	133.0	50.0	2.8	Y355M2-8	160/380
		639	71.1	180.9	68.4		Y400-8	220/6000
		676	71.0	185.4	70.5		Y400-8	220/6000
200ZJ-75A	980	450	102.9	205.4	61.4	4.5	Y355-6	250/6000
		750	95.7	271.5	72.0		Y400-6	355/6000
		900	91.0	306.4	72.8		Y400-6	355/6000
	730	335	57.1	84.8	61.4	3.0	Y315L2-8	110/380
		559	53.1	112.3	72.0		Y355M1-8	132/380
		670	50.5	126.6	72.8		Y355M2-8	160/380
200ZJ-73A	980	438	97.5	192.5	60.4	4.5	Y355-6	250/6000
		730	90.7	254.0	71.0		Y400-6	315/6000
		876	86.2	286.4	71.8		Y400-6	355/6000
	730	326	54.1	79.5	60.4	3.0	Y315L2-8	110/380
		544	50.3	105.0	71.0		Y355M1-8	132/380
		652	47.8	118.2	71.8		Y355M2-8	160/380
200ZJ-70A	980	409	86.4	172.5	55.8	3.8	Y355M3-6	200/380
		738	82.3	230.7	71.7		Y400-6	280/6000
		976	77.6	272.8	75.6		Y400-6	315/6000
	730	305	47.9	71.3	55.8	2.8	Y355L1-8	90/380
		550	45.7	95.5	71.7		Y355M1-8	132/380
		727	43.1	112.9	75.6		Y355M1-8	132/380
200ZJ-68A	980	397	81.5	160.8	54.8	3.8	Y355M3-6	200/380
		717	77.7	214.6	70.7		Y355-6	250/6000
		948	73.2	253.3	74.6		Y400-6	315/6000
	730	296	45.2	66.5	54.8	2.8	Y315L1-8	90/380
		534	43.1	88.7	70.7		Y315L2-8	110/380
		706	40.7	104.9	74.6		Y355M1-8	132/380
200ZJ-65A	980	470	72.0	145.8	63.2	4.3	Y355M2-6	185/380
		820	68.1	197.5	77.0		Y355-6	250/6000
		950	65.6	213.2	79.6		Y355-6	250/6000
	730	350	40.0	60.3	63.2	2.5	Y315M-8	75/380
		611	37.8	81.7	77.0		Y315L2-8	110/380
		708	36.4	88.2	79.6		Y315L2-8	110/380
200ZJ-63A	980	456	67.6	135.0	62.2	4.3	Y315M1-6	160/380
		795	64.0	182.3	76.0		Y355-6	220/6000
		921	61.6	196.6	78.6		Y355-6	250/6000
	730	339	37.5	55.7	62.2	2.5	Y315M-8	75/380
		592	35.5	75.3	76.0		Y315L2-8	110/380
		686	34.2	81.3	78.6		Y315L2-8	110/380



◎ ZJ型渣浆泵直联传动清水性能

型号 Type	转速 Speed n	流量 Capacity Q	扬程 Head H	轴功率 Power Pa	效率 Eff. η	必需汽蚀余量 (NPSH) <sub>r</sub>	配套电机 Motors	
	r/min	m <sup>3</sup> /h	m	KW	%		型号 Type	功率/电压 Power/Volt
200ZJ-60A	980	435	62.0	114.0	64.4	4.0	Y315L2-6	132/380
		740	58.0	146.1	80.0		Y355M2-6	185/380
		870	55.5	159.0	82.7		Y355M2-6	185/380
	730	324	34.4	47.1	64.4	2.5	Y315M-8	75/380
		551	32.2	60.4	80.0		Y315L1-8	90/380
		648	30.8	65.7	82.7		Y315L1-8	90/380
200ZJ-58A	980	421	57.9	104.7	63.4	4.0	Y315L2-6	132/380
		715	54.2	133.6	79.0		Y355M1-6	160/380
		841	51.9	145.5	81.7		Y355M2-6	185/380
	730	313	32.1	43.2	63.4	2.5	Y315S-8	55/380
		533	30.1	55.3	79.0		Y315M-8	75/380
		626	28.8	60.1	81.7		Y315M-8	75/380
150ZJ-70A	980	186	91.2	95.4	48.4	3.0	Y315L2-6	132/380
		285	87.1	115.8	58.4		Y355M1-6	160/380
		401	79.8	139.9	62.3		Y355M2-6	185/380
	730	139	50.6	39.6	48.4	2.0	Y315S-8	55/380
		212	48.3	47.7	58.4		Y315M-8	75/380
		299	44.3	57.9	62.3		Y315M-8	75/380
150ZJ-65A	980	300	75.7	112.0	55.2	4.0	Y315L2-6	132/380
		500	73.0	144.1	69.0		Y355M2-6	185/380
		600	69.4	161.5	70.2		Y355M3-6	200/380
	730	223	42.0	46.2	55.2	2.5	Y315M-8	75/380
		372	40.5	59.5	69.0		Y315M-8	75/380
		447	38.5	66.8	70.2		Y315L1-8	90/380
150ZJ-63A	980	291	71.1	104.0	54.2	4.0	Y355L2-6	132/380
		485	68.6	133.2	68.0		Y355M1-6	160/380
		582	65.2	149.3	69.2		Y355M2-6	185/380
	730	216	39.5	42.9	54.2	2.5	Y315S-8	55/380
		361	38.0	54.9	68.0		Y315M-8	75/380
		433	36.2	61.7	69.2		Y315M-8	75/380
150ZJ-60A	980	270	63.5	80.2	58.2	3.8	Y315L1-6	110/380
		470	60.5	107.6	72.0		Y315L2-6	132/380
		550	58.7	117.9	74.6		Y355M1-6	160/380
	730	201	35.2	33.1	58.2	2.5	Y280M-8	45/380
		350	33.6	44.5	72.0		Y315S-8	55/380
		410	32.6	48.8	74.6		Y315M-8	75/380
150ZJ-58A	980	261	59.3	73.7	57.2	3.8	Y315M-6	90/380
		454	56.5	98.4	71.0		Y315L2-6	132/380
		532	54.9	108.1	73.6		Y315L2-6	132/380
	730	194	32.9	30.4	57.2	2.5	Y280S-8	37/380
		338	31.4	40.7	71.0		Y315S-8	55/380
		396	30.5	44.7	73.6		Y315S-8	55/380

**ZJ型渣浆泵直联传动清水性能**

型号 Type	转速 Speed n	流量 Capacity Q	扬程 Head H	轴功率 Power Pa	效率 Eff. η	必需气蚀余量 (NPSH) <sub>r</sub>	配套电机 Motors	
							型号 Type	功率/电压 Power/Volt
	r/min	m <sup>3</sup> /h	m	KW	%	m		KW/V
150ZJ-55A	980	248	53.4	65.3	55.2	3.5	Y3156M-6	90/380
		431	50.8	86.4	69.0		Y315L1-6	110/380
		504	49.3	94.5	71.6		Y315L1-6	110/380
	730	184	29.6	26.9	55.2	2.3	Y280S-8	37/380
		321	28.2	35.7	69.0		Y280M-8	45/380
		376	27.4	39.2	71.6		Y315S-8	55/380
150ZJ-58C	980	268	61.0	78.7	56.6	3.2	Y315L1-6	110/380
		458	56.0	105.5	66.2		Y315L2-6	132/380
		596	51.2	120.3	69.1		Y355M1-6	160/380
	730	200	33.8	32.5	56.6	2.0	Y280M-8	45/380
		341	31.1	43.6	66.2		Y315S-8	55/380
		444	28.4	49.7	69.1		Y315M-8	75/380
150ZJ-57A	980	190	56.3	63.2	46.1	2.9	Y315M-6	90/380
		301	55.4	77.6	58.5		Y315L1-6	110/380
		427	52.9	92.4	66.6		Y315L1-6	110/380
	730	142	31.2	26.2	46.1	1.8	Y280S-8	37/380
		224	30.7	32.0	58.5		Y280M-8	45/380
		318	29.4	38.2	66.6		Y315S-8	55/380
150ZJ-50A	980	230	43.1	42.6	63.3	3.0	Y280M-6	55/380
		380	40.0	55.2	75.0		Y315S-6	75/380
		460	37.8	61.7	76.8		Y315S-6	75/380
	730	171	23.9	17.6	63.3	2.5	Y250M-8	30/380
		283	22.2	22.8	75.0		Y250M-8	30/380
		343	21.0	25.5	76.8		Y250S-8	37/380
150ZJ-48A	980	221	39.7	38.4	62.3	3.0	Y280M-6	55/380
		365	36.9	49.6	74.0		Y315S-6	75/380
		442	34.8	55.3	75.8		Y315S-6	75/380
	730	164	22.0	15.8	62.3	2.5	Y225M-8	22/380
		272	20.5	20.5	74.0		Y250M-8	30/380
		329	19.4	22.9	75.8		Y250M-8	30/380
150ZJ-42C	1480	300	62.8	80.2	64.0	4.5	Y315S-4	110/380
		450	58.0	96.1	74.0		Y315M-4	132/380
		550	54.3	106.5	76.4		Y315M-4	132/380
	980	199	27.5	23.3	64.0	2.2	Y255M-6	30/380
		298	25.4	27.9	74.0		Y250M-6	37/380
		364	23.8	30.9	76.4		Y280S-6	45/380
100ZJ-50A	1480	180	100.2	85.7	57.3	4.5	Y315S-4	110/380
		300	95.0	113.3	68.5		Y315M-4	132/380
		360	91.6	131.7	68.2		Y315L1-4	160/380
	980	119	43.9	24.8	57.3	2.5	Y255M-6	30/380
		199	41.7	33.0	68.5		Y280S-6	45/380
		238	40.2	38.2	68.2		Y280M-6	55/380



**ZJ型渣浆泵直联传动清水性能**

型号 Type	转速 Speed n	流量 Capacity Q	扬程 Head H	轴功率 Power Pa	效率 Eff. η	必需汽蚀余量 (NPSH)r	配套电机 Motors	
							型号 Type	功率/电压 Power/Volt
							r/min	m <sup>3</sup> /h
100ZJ-46A	1480	166	84.8	69.3	55.3	4.2	Y280M-4	90/380
		276	80.4	90.9	66.5		Y315S-4	110/380
		331	77.5	105.5	66.2		Y315M-4	132/380
	980	109	37.2	20.0	55.3	2.3	Y255M-6	30/380
		183	35.3	26.5	66.5		Y250M-6	37/380
		219	34.0	30.6	66.2		Y250M-6	37/380
100ZJ-42A	1480	140	70.8	50.3	53.7	4.0	Y280S-4	75/380
		245	67.0	65.7	68.0		Y280M-4	90/380
		275	65.5	69.7	70.4		Y280M-4	90/380
	980	93	31.0	14.6	53.7	2.5	Y200L2-6	22/380
		162	29.4	19.1	68.0		Y255M-6	30/380
		182	28.7	20.2	70.4		Y225M-6	30/380
100ZJ-39A	1480	130	61.0	41.8	51.7	3.8	Y250M-4	55/380
		228	57.8	54.4	66.0		Y280S-4	75/380
		255	56.5	57.4	68.4		Y280S-4	75/380
	980	86	26.7	12.1	51.7	2.4	Y200L1-6	18.5/380
		150	25.4	15.7	66.0		Y200L2-6	22/380
		169	24.7	16.6	68.4		Y225M-6	30/380
100ZJ-42B	1480	96	70.7	35.6	51.9	2.8	Y225M-4	45/380
		149	63.8	42.4	61.0		Y250M-4	55/380
		205	56.3	49.7	63.2		Y280S-4	75/380
	980	64	31.0	10.4	51.9	1.8	Y180L-6	15/380
		99	28.0	12.4	61.0		Y200L1-6	18.5/380
		136	24.7	14.5	63.2		Y200L2-6	22/380
100ZJ-36A	1480	130	49.5	28.9	60.7	3.5	Y225S-4	37/380
		220	45.0	38.0	71.0		Y250M-4	55/380
		245	43.4	40.4	71.6		Y250M-4	55/380
	980	86	21.7	8.4	60.7	2.0	Y180L-6	15/380
		146	19.7	11.0	71.0		Y180L-6	15/380
		162	19.0	11.7	71.6		Y200L1-6	18.5/380
100ZJ-33A	1480	119	41.6	23.0	58.7	3.2	Y200L-4	30/380
		202	37.8	30.1	69.0		Y225S-4	37/380
		225	36.5	32.1	69.6		Y225M-4	45/380
	980	79	18.2	6.7	58.7	1.8	Y160L-6	11/380
		134	16.6	8.8	69.0		Y180L-6	15/380
		149	16.0	9.3	69.6		Y180L-6	15/380
80ZJ-52A	1480	107	109.8	82.5	38.8	4.3	Y315S-4	110/380
		182	105.5	100.6	52.0		Y315M-4	132/380
		242	99.0	115.9	56.3		Y315L1-4	160/380
	980	71	48.1	24.0	38.8	2.1	Y225M-6	30/380
		121	46.3	29.3	52.0		Y250M-6	37/380
		160	43.4	33.6	56.3		Y280S-6	45/380

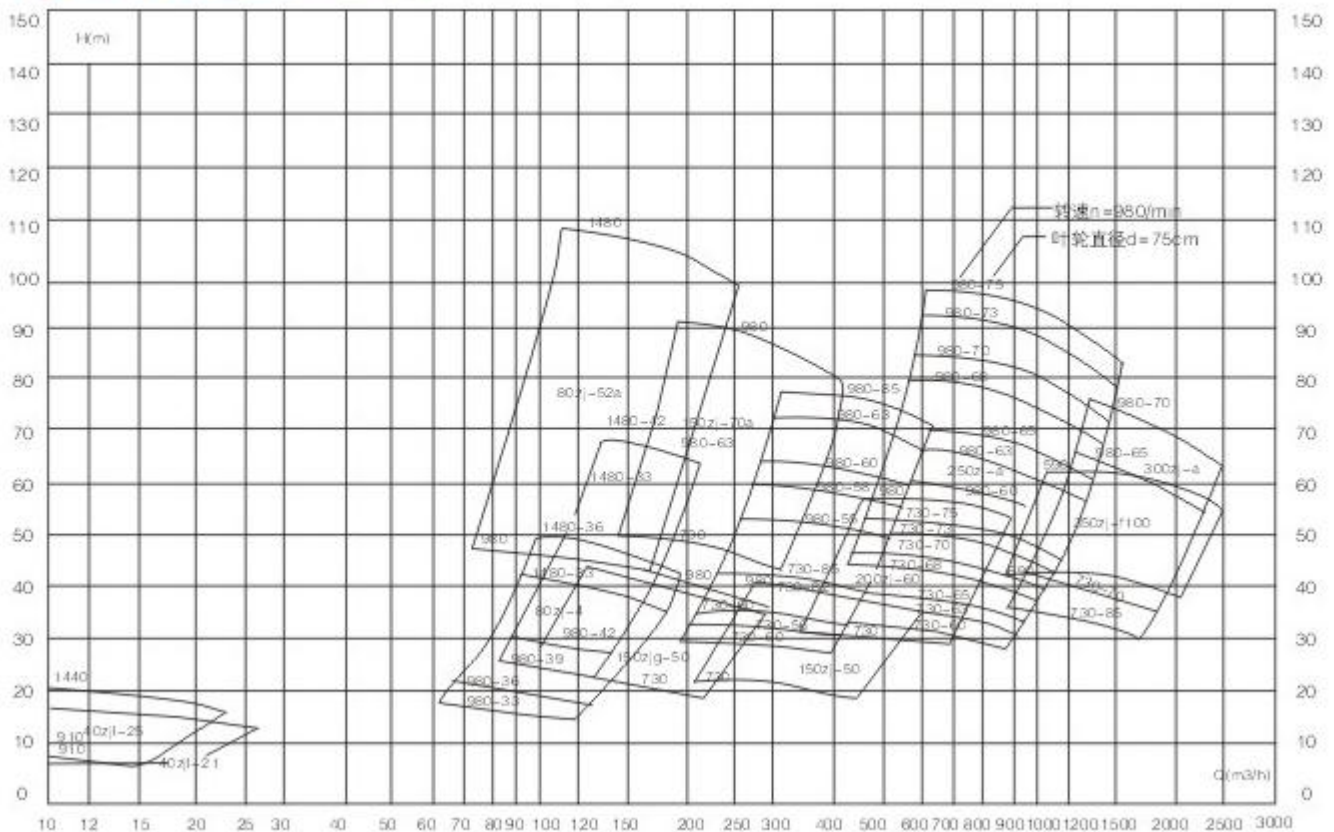
● ZJ型渣浆泵直联传动清水性能

型号 Type	转速 Speed n	流量 Capacity Q	扬程 Head H	轴功率 Power Pa	效率 Eff. η	必需气蚀余量 (NPSH)r	配套电机 Motors	
							型号 Type	功率/电压 Power/Volt
	r/min	m <sup>3</sup> /h	m	KW	%	m		KW/V
80ZJ-42A	1480	130	70.4	41.8	59.6	4.2	Y250M-4	55/380
		170	67.2	47.9	65.0		Y280S-4	75/380
		204	64.2	53.5	66.7		Y280S-4	75/380
	980	86	30.9	12.1	59.6	2.5	Y200L1-6	18.5/380
		113	29.5	14.0	65.0		Y200L2-6	22/380
		135	28.1	15.5	66.7		Y200L1-6	22/380
80ZJ-39A	1480	121	60.7	34.7	57.6	4.0	Y225M-4	45/380
		158	57.9	39.5	63.0		Y250M-4	55/380
		189	55.4	44.1	64.7		Y250M-4	55/380
	980	80	26.6	10.1	57.6	2.4	Y180L-6	15/380
		105	25.4	11.5	63.0		Y200L1-6	18.5/380
		125	24.3	12.8	64.7		Y200L1-6	18.5/380
80ZJ-36A	1480	98	51.4	23.6	58.2	3.7	Y200L-4	30/380
		140	48.0	27.7	66.0		Y225S-4	37/380
		190	42.7	32.6	67.7		Y225M-4	45/380
	980	65	22.5	6.8	58.2	2.5	Y160L-6	11/380
		93	21.0	8.1	66.0		Y160L-6	11/380
		126	18.7	9.5	67.7		Y180L-6	15/380
80ZJ-33A	1480	90	43.2	18.8	56.2	3.4	Y200L-4	30/380
		128	40.3	21.9	64.0		Y200L-4	30/380
		174	35.9	25.9	65.7		Y225S-4	37/380
	980	60	18.9	5.5	56.2	2.3	Y160M-6	7.5/380
		85	17.6	6.4	64.0		Y160L-6	11/380
		116	15.7	7.5	65.7		Y160L-6	11/380
65ZJ-30A	1460	47	34.8	7.9	56.2	3.0	Y160M-4	11/380
		62	33.9	9.2	62.0		Y160L-4	15/380
		79	32.0	10.8	63.5		Y160L-4	15/380
	960	31	15.0	2.3	56.2	2.0	Y132M1-6	4/380
		41	14.7	2.6	62.0		Y132M2-6	5.5/380
		52	13.8	3.1	63.5		Y132M2-6	5.5/380
65ZJ-27A	1460	42	28.2	6.0	54.2	2.7	Y160M-4	11/380
		56	27.5	7.0	60.0		Y160M-4	11/380
		71	25.9	8.1	61.5		Y160M-4	11/380
	960	28	12.2	1.7	54.2	1.8	Y132S-6	3/380
		37	11.9	2.0	60.0		Y132M1-6	4/380
		47	11.2	2.3	61.5		Y132M1-6	4/380
50ZJ-50A	1480	57	110.7	50.7	33.9	3.8	Y280S-4	75/380
		91	105.5	60.8	43.0		Y280S-4	75/380
		111	99.8	66.9	45.1		Y280M-4	90/380
	980	38	48.5	14.8	33.9	3.0	Y200L2-6	22/380
		60	46.3	17.6	43.0		Y255M-6	30/380
		74	43.8	19.6	45.1		Y255M-6	30/380

**ZJ型渣浆泵直联传动清水性能**

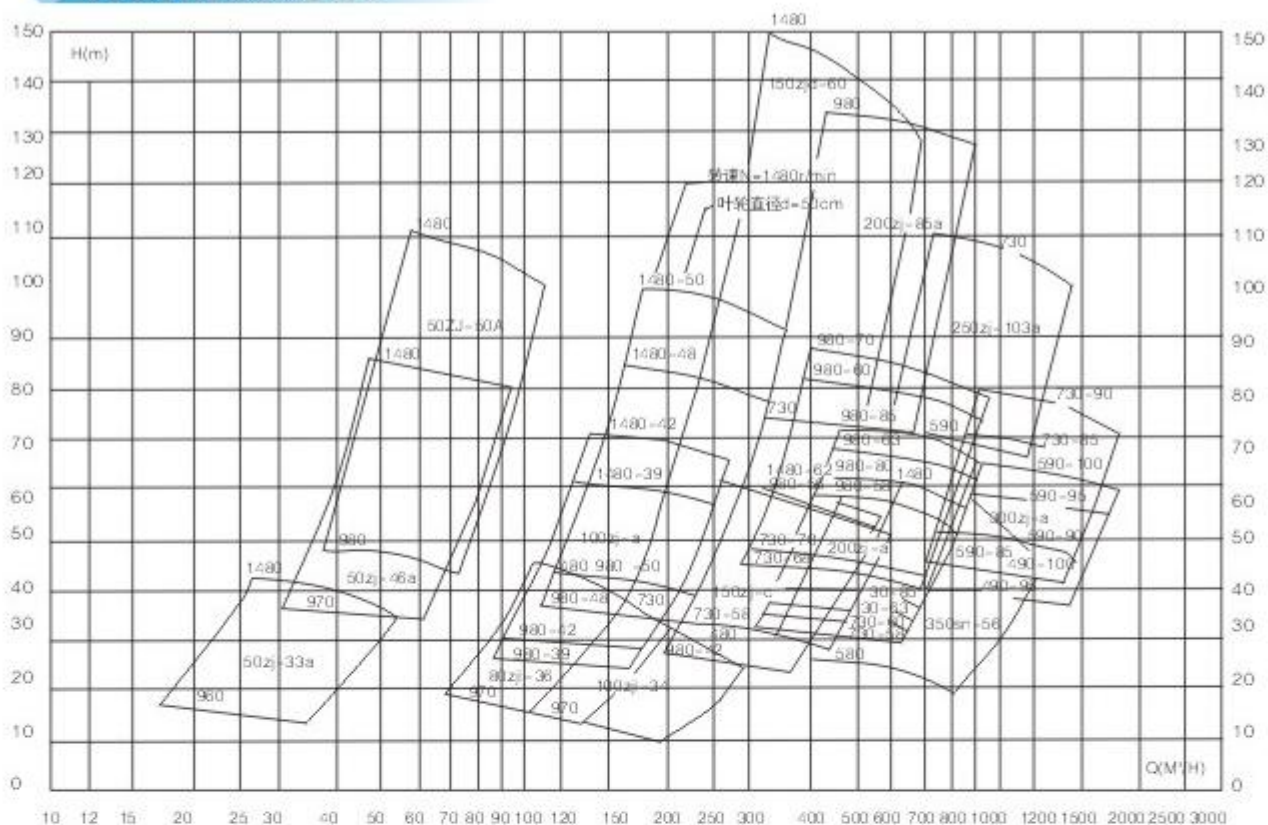
型号 Type	转速 Speed n r/min	流量 Capacity Q m <sup>3</sup> /h	扬程 Head H m	轴功率 Power Pa KW	效率 Eff. η %	必需汽蚀余量 (NPSH) <sub>r</sub> m	配套电机 Motors	
							型号 Type	功率/电压 Power/Volt KW/V
50ZJ-46A	1480	48	85.8	34.8	32.2	2.9	Y225M-4	45/380
		77	82.3	41.4	41.7		Y250M-4	55/380
		94	79.9	45.8	44.7		Y250M-4	55/380
	970	31	36.9	9.7	32.2	1.4	Y180L-6	15/380
		50	35.4	11.6	41.7		Y180L-6	15/380
		62	34.3	13.0	44.7		Y200L1-6	18.5/380
50ZJ-33A	1480	26	42.5	9.2	32.8	6.0	Y160L-4	15/380
		40	40.0	10.7	40.6		Y180M-4	18.5/380
		54	34.5	12.3	41.4		Y180M-4	18.5/380
	960	17	17.9	2.5	32.8	2.9	Y132M-6	4/380
		26	16.8	2.9	40.6		Y132M-6	5.5/380
		35	14.5	3.3	41.4		Y132M2-6	5.5/380
40ZJ-17A	2900	9	44.6	3.3	33.2	4.5	Y132S1-2	5.5/380
		18	42.7	4.2	49.5		Y132S2-2	7.5/380
		23	39.3	4.7	52.4		Y132S2-2	7.5/380
	1400	4	10.3	0.3	33.2	2.5	Y80L-4	0.55/380
		9	9.9	0.5	49.5		Y90S-4	1.1/380
		11	9.1	0.5	52.4		Y90S-4	1.1/380

**Zj型渣浆泵型谱1**

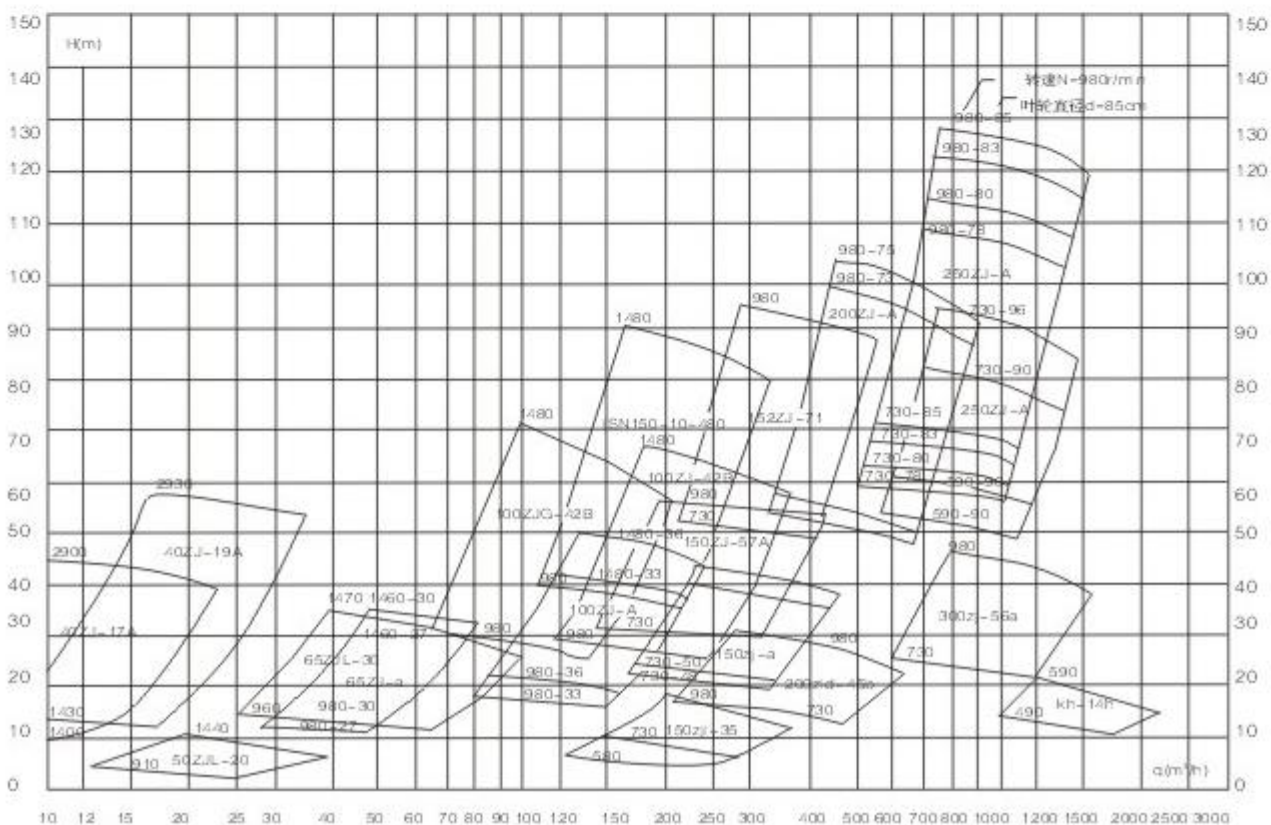




**ZJ系列渣浆泵型谱2**



**ZJ系列渣浆泵型谱3**



● ZJ型渣浆泵直联传动清水性能

型号 Type	转速 Speed n	流量 Capacity Q	扬程 Head H	轴功率 Power Pa	效率 Eff. η	配套电机 Motors	
	r/min	m <sup>3</sup> /h	m	KW	%		
150ZJL-35A	980	198	17.9	15.3	63.1	Y225M-6 V1 380V 30KW	
		332	13.2	17.5	68.1		
		364	12.1	18.0	66.8		
	730	147	10.0	6.3	63.1		Y180L-8 V1 380V 11KW
		247	7.3	7.2	68.1		
		271	6.7	7.4	66.8		
590	119	6.5	3.3	63.1	Y160M-6 B3 380V 7.5KW		
	200	4.8	3.8	68.1			
	219	4.4	3.9	66.8			
1000ZJL-34A	1480	157	36.8	26.1	60.2	Y225M-4 V1 380V 4.5KW	
		214	32.6	29.2	65.1		
		293	24.4	33.5	58.2		
	970	103	15.8	7.4	60.2		Y180L-6 V1 380V 15KW
		140	14.0	8.2	65.1		
		192	10.5	9.4	58.2		
80ZJL-36A	1480	105	45.5	25.0	52.1	Y225M-4 V1 380V 45KW	
		144	41.4	27.9	58.2		
		201	32.5	32.8	54.2		
	970	69	19.5	7.0	52.1		Y180L-6 V1 380V 15KW
		94	17.8	7.8	58.2		
		132	14.0	9.3	54.2		
65ZJL-30A	1470	38	34.7	8.2	43.7	Y180M-4 V1 380V 18.5KW	
		58	31.9	9.7	51.9		
		98	26.0	13.4	51.7		
	960	25	14.8	2.3	43.7		Y132M2-6 B5 380V 5.5KW
		38	13.6	2.7	51.9		
		64	11.1	3.7	51.7		
50ZJL-40B	1470	31	58.3	16.5	29.9	Y200L-4 V1 380V 30KW	
		47	51.0	19.1	34.1		
		65	37.9	22.1	30.3		
	970	21	25.4	4.9	29.9		Y160L-6 B5 380V 11KW
		31	22.2	5.5	34.1		
		43	16.5	6.4	30.3		
50ZJL-35A	1470	39	47.1	11.9	42.1	Y180L-4 V1 380V 22KW	
		64	40.9	14.8	48.1		
		86	32.2	17.5	43.1		
	970	26	20.5	3.4	42.1		Y160M-6 B5 380V 7.5KW
		42	17.8	4.2	48.1		
		57	14.0	5.0	43.1		
50ZJL-20A	1440	17.1	10.7	1.4	34.9	Y112M-4 B5 380V 4KW	
		24.7	9.2	1.6	38.6		
		38.0	6.0	2.0	31.2		
	910	10.8	4.3	0.4	34.9		Y90L-6 B5 380V 1.1KW
		15.6	3.7	0.4	38.6		
		24.0	2.4	0.5	31.2		
50ZJL-20A	2950	37	46.2	16.9	27.6	Y200L1-2 V1 380V 30KW	
		56	38.3	17.3	33.8		
		70	24.3	18.0	25.8		
	1440	18	11.0	2.0	27.6		Y112M-4 B5 380V 4KW
		28	9.1	2.1	33.8		
		34	5.8	2.1	25.6		

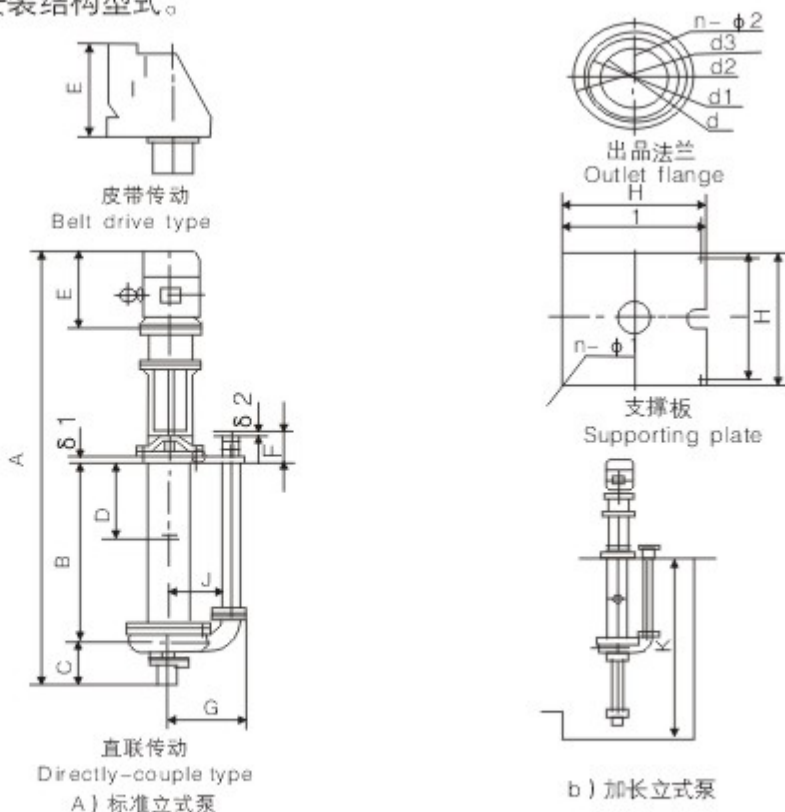
**ZJL型渣浆泵清水性能**

型号 Type	转速 Speed n	流量 Capacity Q	扬程 Head H	轴功率 Power Pa	效率 Eff. $\eta$	配套电机 MOTORS
	r/min	m <sup>3</sup> /h	m	KW	%	
40ZJL-35A	1470	19.7 39.4 47.6	48.0 41.7 35.8	8.8 11.6 12.6	29.2 38.7 36.7	Y180M-4 B5 380V 18.5KW
	960	12.9 25.7 31.1	20.5 17.8 15.3	2.5 3.2 3.5	29.2 38.7 36.7	Y132M2-6 B5 380V 5.5KW
40ZJL-25B	1440	10.1 18.4 22.9	21.5 19.0 16.8	2.3 2.6 2.8	26.1 36.6 37.6	Y112M-4 B5 380V 5.5KW
	940	6.6 12.0 14.9	9.2 8.1 7.2	0.6 0.7 0.8	26.1 36.6 37.6	Y100L-6 B5 380V 1.5KW
40ZJL-21A	1440	9.5 20.3 25.9	17.0 15.3 14.1	1.6 2.0 2.2	27.9 42.4 44.6	Y112M-4 V1 380V 4.0KW
	910	6.0 12.8 16.4	6.8 6.1 5.6	0.4 0.5 0.6	27.9 42.4 44.6	Y90L-6 V1 380V 1.1KW

说明:1、除150ZJL-35A=590r/min为皮带传动外,其余均为直联传动;

2、V1、B3、B5为电机的安装结构型式。

**ZJL型渣浆泵安装图**



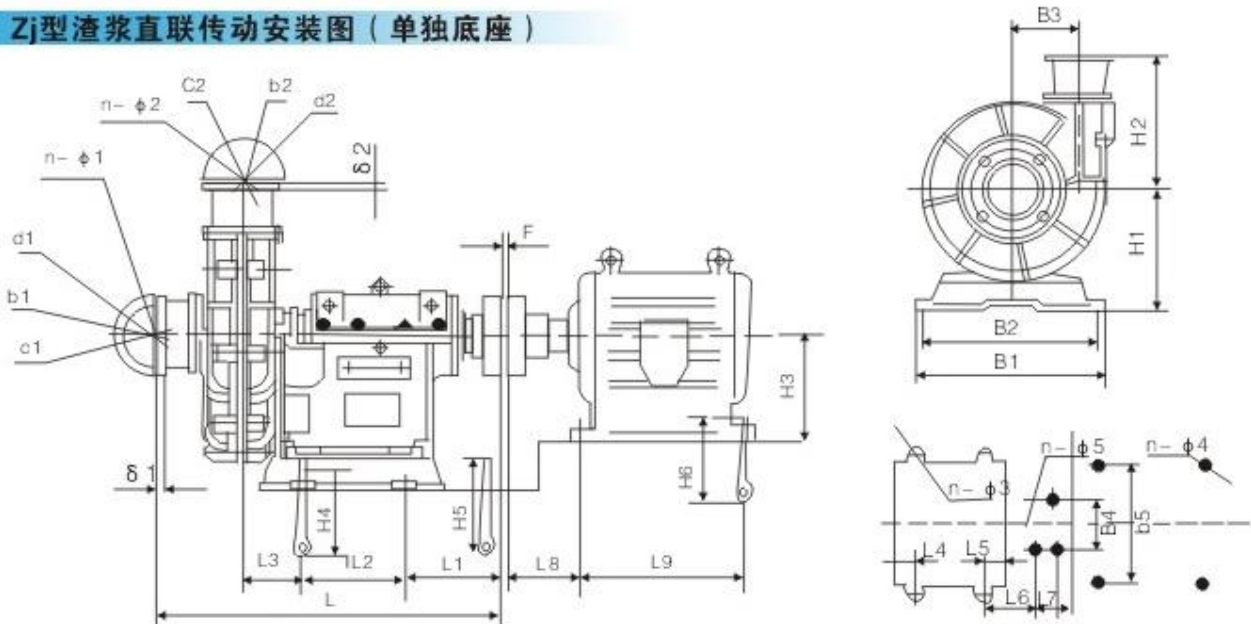
注:加长立式泵是在标准立式泵的基础上加长的,根据现场坑深K值要求,依次选用一段轴加吸入管、两段轴、两段轴加吸入管三种加长方案,具体加长方案应符合我厂设计规范。



**ZJL型渣浆泵安装尺寸**

型号 TYPE	配用电机 MATING MOTORS	传动方式 DRIVING PATTERNS	A	B	C	D	E	F	G	H	I	J	n-φ1	出品法兰 OUCILET FLANGE					泵重 Weight Motor Industztigl	最大坑深 K
														d	d <sub>1</sub>	d <sub>2</sub>	d <sub>3</sub>	n-φ2		
150ZJL-A35	Y250M-6 30KW V1	DC	2993	1054	360	350	795	216	610	1150	1080	480	4-φ25	φ150	φ220	φ225	φ260	8-φ18	22	1211
	Y180L-6 11KW V1	DC	2828				660													1105
	Y160L-6 11KW B3	BD	2674				702													1046
100ZJL-A34	Y225M-4 45KW V1	DC	2930	1036	310	350	795	216	573	1180	1110	470	4-φ25	φ100	φ145	φ170	φ205	4-φ18	18	1183
	Y180L-6 15KW V1	DC	2765				660													1036
80ZJL-A36	Y225M-4 45KW V1	DC	2887	1033	270	350	795	207	543	1120	1050	450	4-φ25	φ80	φ125	φ150	φ185	4-φ18	18	993
	Y180L-6 15KW V1	DC	2722				660													864
60ZJL-A30	Y180M-4 18.5KW V1	DC	2673	819	195	350	620	136	321	600	540	252	4-φ22	φ65	φ115	φ130	φ160	4-φ14	16	703
	Y132M2-6 5.5KW B5	DC	2458				435													614
50ZJL-B40	Y200L-4 30KW V1	DC	2865	1160	290	350	665	212	473	880	820	390	4-φ25	φ50	φ99	φ125	φ165	4-φ18	20	885
	Y160L-6 11KW B5	DC	2740				540													771
50ZJL-A35	Y180L-4 22KW V1	DC	2780	819	195	350	600	136	321	600	540	252	4-φ25	φ50	φ90	φ110	φ140	4-φ14	16	782
	Y160M-6 7.5KW B5	DC	2675				495													706
50ZJL-A20	Y112M-4 4KW B5	DC	1941	900	300	350	340	141	336	680	620	253	4-φ19	φ50	φ99	φ125	φ165	4-φ18	20	293
	Y90L-6 1.1KW B5	DC	1881				290													275
40ZJL-A35	Y200L1-2 30KW V1	DC	2613	1500	210	350	665	210	431	880	820	366	4-φ22	φ50	φ99	φ125	φ165	4-φ18	20	805
	Y112M-4 4KW B5	DC	2238				340													619
40ZJL-B25	Y180M-4 18.5KW B5	DC	3053	826	210	350	560	184	334	600	540	244	4-φ25	φ40	φ72	φ100	φ130	4-φ14	16	672
	Y132M2-6 5.5KW B5	DC	2898				435													584
40ZJL-A21	Y112M-4 4KW B5	DC	1886	829	209	350	340	152	309	600	540	244	4-φ25	φ40	φ72	φ100	φ130	4-φ14	16	352
	Y100L-6 1.5KW B5	DC	1939				320													353
40ZJL-A21	Y112M-4 4KW B5	DC	1961	829	209	350	340	152	309	600	540	244	4-φ25	φ40	φ72	φ100	φ130	4-φ14	16	370
	Y90L-6 1.1KW B5	DC	1901				290													345

**Zj型渣浆直联传动安装图 (单独底座)**



注: 1、配用其它型号电机, 应将电机部分安装尺寸做相应更改。

2、D尺寸为液面最高线位置。



**ZJ型渣浆泵直联传动安装尺寸 ( 单独底座 )**

项目 LITEM	电动机 MOTORS	L <sub>1</sub>	L <sub>2</sub>	B <sub>1</sub>	H <sub>1</sub>	H <sub>2</sub>	n-φ4	L <sub>1</sub>	L <sub>2</sub>	L <sub>3</sub>	L <sub>4</sub>	B <sub>1</sub>	B <sub>2</sub>	H <sub>1</sub>	H <sub>2</sub>	F	n-φ1	b1	s1	n-φ2	b2	n-φ5		
																							型号 TYPE	功率 (KW)POWER
250ZJ-103A	Y450-8	605	1120	800	450	700	4-φ35	2135	630	372	333	604	1060											
	Y450-8	725	1250	900	500	800	4-φ42	450	594	108	240	500	983											
	Y450-10	605	1120	800	450	700	4-φ35																	
	Y450-8	605	1120	800	450	700	4-φ35																	
	Y450-10	605	1120	800	450	700	4-φ35	2135	630	372	333	565	1060											
250ZJ-96A	Y450-8	605	1120	800	450	700	4-φ35																	
	Y500-8	725	1250	900	500	800	4-φ42																	
	Y450-10	605	1120	800	450	700	4-φ35	2135	630	372	333	565	1060											
	Y450-8	605	1120	800	450	700	4-φ35	450	594	108	240	500	948											
	Y450-10	605	1120	800	450	700	4-φ35																	
250ZJ-90A	Y355L2-10	424	630	610	355	630	4-φ28																	
	Y450-10	605	1120	800	450	700	4-φ35																	
	Y450-6	605	1120	800	450	700	4-φ35																	
	Y500-6	725	1250	900	500	800	4-φ42																	
	Y400-8	545	1000	710	400	700	4-φ35																	
250ZJ-85A	Y450-6	605	1120	800	450	700	4-φ35																	
	Y500-6	725	1250	900	500	800	4-φ42																	
	Y400-8	545	1000	710	400	700	4-φ35																	
	Y450-6	605	1120	800	450	700	4-φ35																	
	Y500-6	725	1250	900	500	800	4-φ42																	
250ZJ-83A	Y400-8	545	1000	710	400	700	4-φ35																	
	Y450-8	605	1120	800	450	700	4-φ35																	
	Y450-6	605	1120	800	450	700	4-φ35																	
	Y500-6	725	1250	900	500	800	4-φ42																	
	Y400-8	545	1000	710	400	700	4-φ35																	
250ZJ-80A	Y450-8	605	1120	800	450	700	4-φ35																	
	Y450-6	605	1120	800	450	700	4-φ35																	
	Y500-6	725	1250	900	500	800	4-φ42																	
	Y400-8	545	1000	710	400	700	4-φ35																	
	Y450-6	605	1120	800	450	700	4-φ35																	
250ZJ-78A	Y355L1-8	424	630	610	355	630	4-φ28																	
	Y450-6	605	1120	800	450	700	4-φ35																	
	Y355L1-8	424	630	610	355	630	4-φ28																	



ZJ型渣浆泵直联传动安装尺寸 (单独底座)

项目 LTEM 型号 TYPE	电动机 MOTORS		L <sub>1</sub>	L <sub>2</sub>	B <sub>1</sub>	H <sub>1</sub>	H <sub>2</sub>	n-φ4	L	L <sub>1</sub>	L <sub>2</sub>	L <sub>3</sub>	L <sub>4</sub>	L <sub>5</sub>	L <sub>6</sub>	L <sub>7</sub>	L <sub>8</sub>	H <sub>1</sub> / H <sub>2</sub>	F n-φ3	n-φ1 d1	b1 c1	s1 s1	n-φ2 d2	b2 c2	n-φ5	
	型号 TYPE	功率 (KW)POWER																								
250ZJ-78A	Y400-8	250	545	1000	710	400			2135	630	230	465						900		12-φ26			42	12-φ30 φ250		
	Y400-6	280					700	4-φ35	582	465	230	240						896		φ410			34	φ370 φ425		
	Y450-6	315																								
250ZJ-75A	Y355M1-8	132	605	1120	800	450			1913	630	200	337														
	Y355L1-8	185	424	560	610	355	630	4-φ28	454	392	170	240														
	Y400-8	220																								
250ZJ-73A	Y400-6	280	545	1000	710	400			1913	630	200	337														
	Y450-6	400					700	4-φ35	454	392	170	240														
	Y355M1-8	132	605	1120	800	450																				
250ZJ-70A	Y355L1-8	185	424	560	610	355	630	4-φ28	454	392	170	240														
	Y355L2-8	200																								
	Y400-6	280	545	1000	710	400																				
250ZJ-68A	Y450-6	450	605	1120	800	450																				
	Y315L2-8	110	386	508	508	315	630	4-φ28																		
	Y355M2-8	160	424	560	610	355																				
250ZJ-65A	Y355L1-8	185	424	560	610	355	630	4-φ28	1913	630	200	337														
	Y355-6	220	525	900	630				454	392	170	240														
	Y400-6	280	545	1000	710	400																				
250ZJ-63A	Y315L1-8	90	386	508	508	315																				
	Y355M1-8	132	424	560	610	355	630	4-φ28																		
	Y355-6	200	525	900	630																					
250ZJ-63A	Y400-6	315	545	1000	710	400																				
	Y315L1-8	90	386	508	508	315	630	4-φ28																		
	Y315L2-8	110	386	508	508	315																				
Y355M1-8	132	424	560	610	355	630	4-φ28																			

ZJ型渣浆泵直联传动安装尺寸 (单独底座)

项目 LTEM 型号 TYPE	电动机 MOTORS		L <sub>1</sub>	L <sub>2</sub>	B <sub>1</sub>	H <sub>1</sub>	H <sub>2</sub>	n-φ4	L <sub>1</sub>	L <sub>2</sub>	L <sub>3</sub>	L <sub>4</sub>	B <sub>1</sub>	B <sub>2</sub>	H <sub>1</sub>	H <sub>2</sub>	H <sub>3</sub>	F	n-φ1	D1	S1	n-φ2	D2	C2	n-φ5		
	型号 TYPE	功率 (KW) POWER																									
250ZJ-60A	Y355M2-6	185	560	630	610	355	630	4-φ28	1913	630	200	337	410	810	12-φ23	φ300	34	12-φ25	φ250	φ405							
	Y355L2-6	250	630	700	400	400	700	4-φ35	454	392	170	240	500	748	φ410	φ460	32	φ355									
	Y400-6	280	1000	710	400	400	700	4-φ35	454	392	170	240	500	748	φ410	φ460	32	φ355									
	Y315M-8	75	386	508	508	315	630	4-φ28	454	392	170	240	500	748	φ410	φ460	32	φ355									
	Y315L2-8	110	508	508	508	315	630	4-φ28	454	392	170	240	500	748	φ410	φ460	32	φ355									
200ZJ-85A	Y400-6	400	545	1000	710	400	400	4-φ35	2061	630	230	465	505	900	12-φ23	φ250	30	12-φ25	φ310								
	Y450-6	560	605	1120	800	450	700	4-φ35	582	447	230	240	500	868	φ355	φ405	32	φ310									
	Y355M2-8	160	424	560	610	355	630	4-φ28	582	447	230	240	500	868	φ355	φ405	32	φ310									
	Y400-8	220	545	1000	710	400	700	4-φ35	582	447	230	240	500	868	φ355	φ405	32	φ310									
	Y355-6	250	525	900	630	355	630	4-φ28	582	447	230	240	500	868	φ355	φ405	32	φ310									
200ZJ-75A	Y400-6	355	545	1000	710	400	700	4-φ35	374	323	125	240	1020	500	783	12-φ23	φ250	30	12-φ25	φ200							
	Y315L2-8	110	386	508	508	315	630	4-φ28	374	323	125	240	1020	500	783	φ355	φ405	32	φ310								
	Y355M1-8	132	424	560	610	355	630	4-φ28	374	323	125	240	1020	500	783	φ355	φ405	32	φ310								
	Y355M2-8	160	424	560	610	355	630	4-φ28	374	323	125	240	1020	500	783	φ355	φ405	32	φ310								
	Y355-6	250	525	900	630	355	630	4-φ28	374	323	125	240	1020	500	783	φ355	φ405	32	φ310								
200ZJ-73A	Y400-6	315	545	1000	710	400	700	4-φ35	1590	510	157	271	1090	420	710	12-φ23	φ250	24	12-φ25	φ310							
	Y315L2-8	110	386	508	508	315	630	4-φ28	368	355	157	200	900	400	660	φ350	φ390	36	φ310								
	Y355M1-8	132	424	560	610	355	630	4-φ28	368	355	157	200	900	400	660	φ350	φ390	36	φ310								
	Y355M2-8	160	424	560	610	355	630	4-φ28	368	355	157	200	900	400	660	φ350	φ390	36	φ310								
	Y355-6	250	525	900	630	355	630	4-φ28	368	355	157	200	900	400	660	φ350	φ390	36	φ310								
200ZJ-70A	Y400-6	280	545	1000	710	400	700	4-φ35	1000	400	660	900	420	710	12-φ23	φ250	24	12-φ25	φ310								
	Y315L1-8	90	386	508	508	315	630	4-φ28	1000	400	660	900	420	710	φ350	φ390	36	φ310									
	Y355M1-8	132	424	560	610	355	630	4-φ28	1000	400	660	900	420	710	φ350	φ390	36	φ310									
	Y355M3-6	200	525	900	630	355	630	4-φ28	1000	400	660	900	420	710	φ350	φ390	36	φ310									
	Y355-6	250	525	900	630	355	630	4-φ28	1000	400	660	900	420	710	φ350	φ390	36	φ310									
200ZJ-68A	Y400-6	315	545	1000	710	400	700	4-φ35	1000	400	660	900	420	710	12-φ23	φ250	24	12-φ25	φ310								
	Y315L1-8	90	386	508	508	315	630	4-φ28	1000	400	660	900	420	710	φ350	φ390	36	φ310									
	Y315L2-8	110	386	508	508	315	630	4-φ28	1000	400	660	900	420	710	φ350	φ390	36	φ310									
	Y355M1-6	132	424	560	610	355	630	4-φ28	1000	400	660	900	420	710	φ350	φ390	36	φ310									
	Y355M2-6	185	424	560	610	355	630	4-φ28	1000	400	660	900	420	710	φ350	φ390	36	φ310									
200ZJ-65A	Y355-6	250	525	900	630	355	630	4-φ28	525	900	630	355	630	4-φ28	525	900	630	355	630	4-φ28	525	900	630	355			

ZJ型渣浆泵直联传动安装尺寸 (单独底座)

项目 LTEM 型号 TYPE	电动机 MOTORS		L <sub>1</sub>	L <sub>2</sub>	B <sub>1</sub>	H <sub>1</sub>	H <sub>2</sub>	H <sub>3</sub>	H <sub>4</sub>	F n-φ3	n-φ1 d1	b1 c1	s1 s1	n-φ2 d2	b2 c2	n-φ5
	型号 TYPE	功率 (KW)POWER														
200ZJ-65A	Y315M-8	75	386	457	508	315										
	Y315L2-8	110	508	508	508	315										
	Y355M1-6	160	424	560	610	355										
200ZJ-63A	Y355-6	220	525	900	630	355										
	Y355M1-6	250	525	900	630	355										
	Y315M-8	75	386	457	508	315										
200ZJ-60A	Y315L2-8	110	386	508	508	315										
	Y315L2-6	132	386	508	508	315										
	Y355M2-8	185	424	560	610	355										
200ZJ-58A	Y315M-8	75	457	457	508	315										
	Y315L1-8	90	386	508	508	315										
	Y315L2-6	132	424	560	610	355										
150ZJ-70A	Y315S-8	55	406	406	508	315										
	Y315M-8	75	386	457	508	315										
	Y315L2-6	132	424	560	610	355										
150ZJ-65A	Y355M2-6	185	424	560	610	355										
	Y355M3-6	200	424	560	610	355										
	Y315M-8	75	386	457	508	315										
150ZJ-63A	Y315L1-8	90	386	508	508	315										
	Y315L2-6	132	424	560	610	355										
	Y355M1-6	160	424	560	610	355										
150ZJ-60A	Y355M2-6	185	424	560	610	355										
	Y315S-8	55	406	406	508	315										
	Y315M-8	75	386	457	508	315										
150ZJ-60A	Y315L1-6	110	508	508	508	315										
	Y315L2-6	132	424	560	610	355										
	Y355M1-6	160	424	560	610	355										

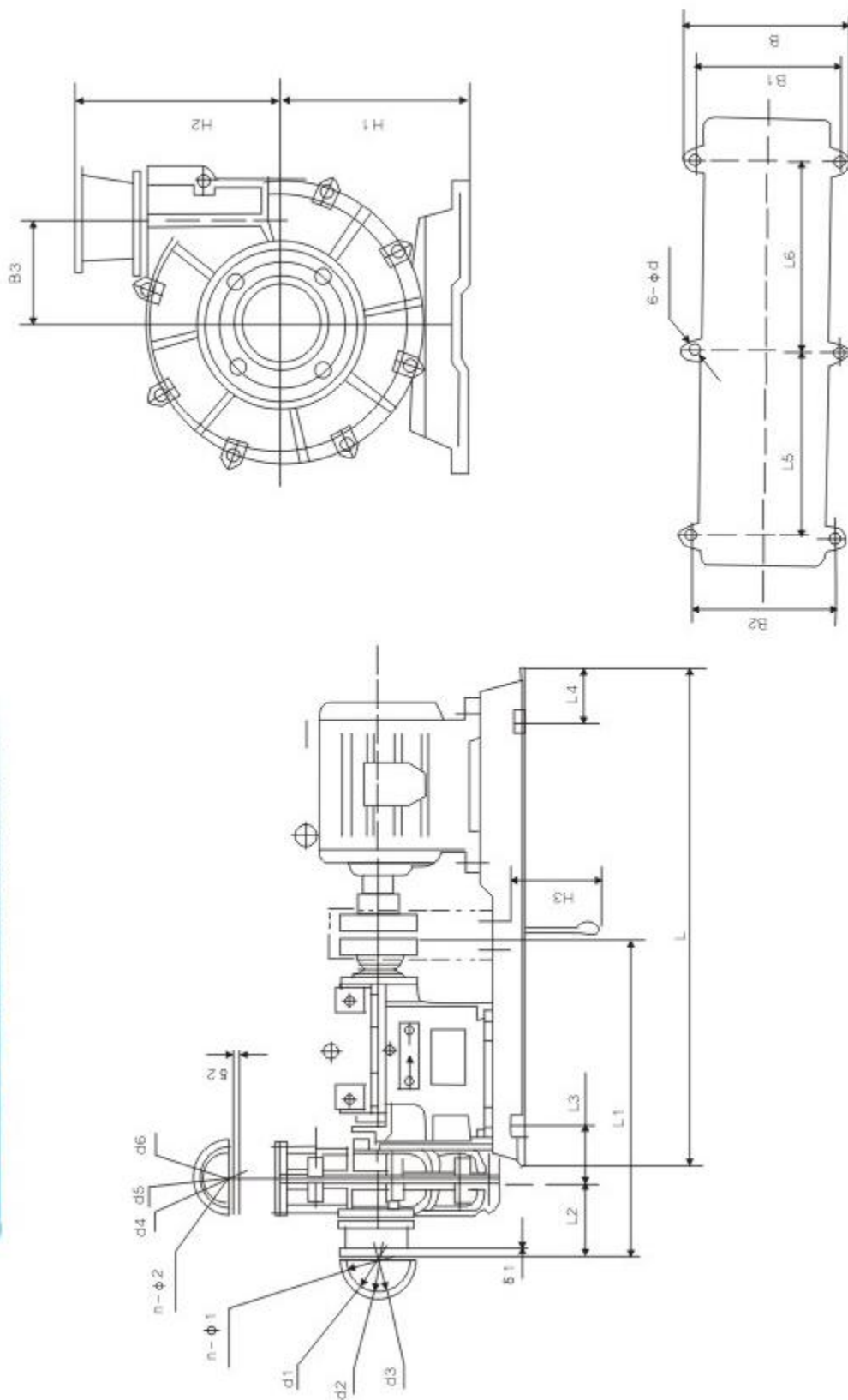


**ZJ型渣浆泵直联传动安装尺寸 ( 单独底座 )**

项目 LITEM 型号 TYPE	电动机 MOTORS		L <sub>1</sub>	B <sub>1</sub>	H <sub>1</sub>	H <sub>2</sub>	H <sub>3</sub>	H <sub>4</sub>	H <sub>5</sub>	F <sub>1</sub> n-φ3	D <sub>1</sub>	D <sub>2</sub>	b2 C2	n-φ5
	型号 TYPE	功率 (KW)POWER												
150Z-60A	Y280M-8	45	330	419	280	500	4-φ24							
	Y315S-8	55	406											
	Y315M-8	75	457	508	315	630	4-φ28							
150ZJ-58A	Y315M-6	90	386	508										
	Y315L2-6	132						1571	510					
	Y280S-8	37	330	368	280	500	4-φ24	355	360					
150ZJ-55A	Y315S-8	55	406											
	Y315M-6	90	386	457	508	315	630	4-φ28						
	Y315L1-6	110	508											
	Y280S-8	37	368											
	Y280M-8	45	330	419	280	500	4-φ24							
	Y315S-8	55	406											
150ZJ-58C	Y315L1-6	110	386	508	315	630	4-φ28							
	Y315L2-6	132												
	Y365M1-6	160	424	610	560	355				1567	510			
	Y280M-8	45	330	419	280	500	4-φ24	355	358					
	Y315S-8	55	406											
	Y315M-8	75	457	508	315	630	4-φ28							
150ZJ-57A	Y315M-6	90	386	457	508	315	630	4-φ28						
	Y315L1-6	110	508											
	Y280S-8	37	330	368	280	500	4-φ24			1571	510			
	Y280M-8	45	419	457	280	500	4-φ24	355	360					
Y315S-8	55	386	406	508	315	630	4-φ28							

注：配用其它型号电机，应将电机部分安装尺寸做相应更动。

ZJ型渣浆泵直联传动安装图(共同底座)



◎ ZJ型渣浆泵直联传动安装尺寸 (共同底座)

项目 LTEM	电动机 MOTORS		L	L <sub>1</sub>	L <sub>2</sub>	L <sub>3</sub>	L <sub>4</sub>	L <sub>5</sub>	L <sub>6</sub>	L <sub>7</sub>	L <sub>8</sub>	L <sub>9</sub>	L <sub>10</sub>	L <sub>11</sub>	L <sub>12</sub>	L <sub>13</sub>	L <sub>14</sub>	L <sub>15</sub>	L <sub>16</sub>	L <sub>17</sub>	L <sub>18</sub>	L <sub>19</sub>	L <sub>20</sub>	L <sub>21</sub>	L <sub>22</sub>	L <sub>23</sub>	L <sub>24</sub>	L <sub>25</sub>	L <sub>26</sub>	L <sub>27</sub>	L <sub>28</sub>	L <sub>29</sub>	L <sub>30</sub>	L <sub>31</sub>	L <sub>32</sub>	L <sub>33</sub>	L <sub>34</sub>	L <sub>35</sub>	L <sub>36</sub>	L <sub>37</sub>	L <sub>38</sub>	L <sub>39</sub>	L <sub>40</sub>	L <sub>41</sub>	L <sub>42</sub>	L <sub>43</sub>	L <sub>44</sub>	L <sub>45</sub>	L <sub>46</sub>	L <sub>47</sub>	L <sub>48</sub>	L <sub>49</sub>	L <sub>50</sub>	L <sub>51</sub>	L <sub>52</sub>	L <sub>53</sub>	L <sub>54</sub>	L <sub>55</sub>	L <sub>56</sub>	L <sub>57</sub>	L <sub>58</sub>	L <sub>59</sub>	L <sub>60</sub>	L <sub>61</sub>	L <sub>62</sub>	L <sub>63</sub>	L <sub>64</sub>	L <sub>65</sub>	L <sub>66</sub>	L <sub>67</sub>	L <sub>68</sub>	L <sub>69</sub>	L <sub>70</sub>	L <sub>71</sub>	L <sub>72</sub>	L <sub>73</sub>	L <sub>74</sub>	L <sub>75</sub>	L <sub>76</sub>	L <sub>77</sub>	L <sub>78</sub>	L <sub>79</sub>	L <sub>80</sub>	L <sub>81</sub>	L <sub>82</sub>	L <sub>83</sub>	L <sub>84</sub>	L <sub>85</sub>	L <sub>86</sub>	L <sub>87</sub>	L <sub>88</sub>	L <sub>89</sub>	L <sub>90</sub>	L <sub>91</sub>	L <sub>92</sub>	L <sub>93</sub>	L <sub>94</sub>	L <sub>95</sub>	L <sub>96</sub>	L <sub>97</sub>	L <sub>98</sub>	L <sub>99</sub>	L <sub>100</sub>	L <sub>101</sub>	L <sub>102</sub>	L <sub>103</sub>	L <sub>104</sub>	L <sub>105</sub>	L <sub>106</sub>	L <sub>107</sub>	L <sub>108</sub>	L <sub>109</sub>	L <sub>110</sub>	L <sub>111</sub>	L <sub>112</sub>	L <sub>113</sub>	L <sub>114</sub>	L <sub>115</sub>	L <sub>116</sub>	L <sub>117</sub>	L <sub>118</sub>	L <sub>119</sub>	L <sub>120</sub>	L <sub>121</sub>	L <sub>122</sub>	L <sub>123</sub>	L <sub>124</sub>	L <sub>125</sub>	L <sub>126</sub>	L <sub>127</sub>	L <sub>128</sub>	L <sub>129</sub>	L <sub>130</sub>	L <sub>131</sub>	L <sub>132</sub>	L <sub>133</sub>	L <sub>134</sub>	L <sub>135</sub>	L <sub>136</sub>	L <sub>137</sub>	L <sub>138</sub>	L <sub>139</sub>	L <sub>140</sub>	L <sub>141</sub>	L <sub>142</sub>	L <sub>143</sub>	L <sub>144</sub>	L <sub>145</sub>	L <sub>146</sub>	L <sub>147</sub>	L <sub>148</sub>	L <sub>149</sub>	L <sub>150</sub>	L <sub>151</sub>	L <sub>152</sub>	L <sub>153</sub>	L <sub>154</sub>	L <sub>155</sub>	L <sub>156</sub>	L <sub>157</sub>	L <sub>158</sub>	L <sub>159</sub>	L <sub>160</sub>	L <sub>161</sub>	L <sub>162</sub>	L <sub>163</sub>	L <sub>164</sub>	L <sub>165</sub>	L <sub>166</sub>	L <sub>167</sub>	L <sub>168</sub>	L <sub>169</sub>	L <sub>170</sub>	L <sub>171</sub>	L <sub>172</sub>	L <sub>173</sub>	L <sub>174</sub>	L <sub>175</sub>	L <sub>176</sub>	L <sub>177</sub>	L <sub>178</sub>	L <sub>179</sub>	L <sub>180</sub>	L <sub>181</sub>	L <sub>182</sub>	L <sub>183</sub>	L <sub>184</sub>	L <sub>185</sub>	L <sub>186</sub>	L <sub>187</sub>	L <sub>188</sub>	L <sub>189</sub>	L <sub>190</sub>	L <sub>191</sub>	L <sub>192</sub>	L <sub>193</sub>	L <sub>194</sub>	L <sub>195</sub>	L <sub>196</sub>	L <sub>197</sub>	L <sub>198</sub>	L <sub>199</sub>	L <sub>200</sub>	L <sub>201</sub>	L <sub>202</sub>	L <sub>203</sub>	L <sub>204</sub>	L <sub>205</sub>	L <sub>206</sub>	L <sub>207</sub>	L <sub>208</sub>	L <sub>209</sub>	L <sub>210</sub>	L <sub>211</sub>	L <sub>212</sub>	L <sub>213</sub>	L <sub>214</sub>	L <sub>215</sub>	L <sub>216</sub>	L <sub>217</sub>	L <sub>218</sub>	L <sub>219</sub>	L <sub>220</sub>	L <sub>221</sub>	L <sub>222</sub>	L <sub>223</sub>	L <sub>224</sub>	L <sub>225</sub>	L <sub>226</sub>	L <sub>227</sub>	L <sub>228</sub>	L <sub>229</sub>	L <sub>230</sub>	L <sub>231</sub>	L <sub>232</sub>	L <sub>233</sub>	L <sub>234</sub>	L <sub>235</sub>	L <sub>236</sub>	L <sub>237</sub>	L <sub>238</sub>	L <sub>239</sub>	L <sub>240</sub>	L <sub>241</sub>	L <sub>242</sub>	L <sub>243</sub>	L <sub>244</sub>	L <sub>245</sub>	L <sub>246</sub>	L <sub>247</sub>	L <sub>248</sub>	L <sub>249</sub>	L <sub>250</sub>	L <sub>251</sub>	L <sub>252</sub>	L <sub>253</sub>	L <sub>254</sub>	L <sub>255</sub>	L <sub>256</sub>	L <sub>257</sub>	L <sub>258</sub>	L <sub>259</sub>	L <sub>260</sub>	L <sub>261</sub>	L <sub>262</sub>	L <sub>263</sub>	L <sub>264</sub>	L <sub>265</sub>	L <sub>266</sub>	L <sub>267</sub>	L <sub>268</sub>	L <sub>269</sub>	L <sub>270</sub>	L <sub>271</sub>	L <sub>272</sub>	L <sub>273</sub>	L <sub>274</sub>	L <sub>275</sub>	L <sub>276</sub>	L <sub>277</sub>	L <sub>278</sub>	L <sub>279</sub>	L <sub>280</sub>	L <sub>281</sub>	L <sub>282</sub>	L <sub>283</sub>	L <sub>284</sub>	L <sub>285</sub>	L <sub>286</sub>	L <sub>287</sub>	L <sub>288</sub>	L <sub>289</sub>	L <sub>290</sub>	L <sub>291</sub>	L <sub>292</sub>	L <sub>293</sub>	L <sub>294</sub>	L <sub>295</sub>	L <sub>296</sub>	L <sub>297</sub>	L <sub>298</sub>	L <sub>299</sub>	L <sub>300</sub>	L <sub>301</sub>	L <sub>302</sub>	L <sub>303</sub>	L <sub>304</sub>	L <sub>305</sub>	L <sub>306</sub>	L <sub>307</sub>	L <sub>308</sub>	L <sub>309</sub>	L <sub>310</sub>	L <sub>311</sub>	L <sub>312</sub>	L <sub>313</sub>	L <sub>314</sub>	L <sub>315</sub>	L <sub>316</sub>	L <sub>317</sub>	L <sub>318</sub>	L <sub>319</sub>	L <sub>320</sub>	L <sub>321</sub>	L <sub>322</sub>	L <sub>323</sub>	L <sub>324</sub>	L <sub>325</sub>	L <sub>326</sub>	L <sub>327</sub>	L <sub>328</sub>	L <sub>329</sub>	L <sub>330</sub>	L <sub>331</sub>	L <sub>332</sub>	L <sub>333</sub>	L <sub>334</sub>	L <sub>335</sub>	L <sub>336</sub>	L <sub>337</sub>	L <sub>338</sub>	L <sub>339</sub>	L <sub>340</sub>	L <sub>341</sub>	L <sub>342</sub>	L <sub>343</sub>	L <sub>344</sub>	L <sub>345</sub>	L <sub>346</sub>	L <sub>347</sub>	L <sub>348</sub>	L <sub>349</sub>	L <sub>350</sub>	L <sub>351</sub>	L <sub>352</sub>	L <sub>353</sub>	L <sub>354</sub>	L <sub>355</sub>	L <sub>356</sub>	L <sub>357</sub>	L <sub>358</sub>	L <sub>359</sub>	L <sub>360</sub>	L <sub>361</sub>	L <sub>362</sub>	L <sub>363</sub>	L <sub>364</sub>	L <sub>365</sub>	L <sub>366</sub>	L <sub>367</sub>	L <sub>368</sub>	L <sub>369</sub>	L <sub>370</sub>	L <sub>371</sub>	L <sub>372</sub>	L <sub>373</sub>	L <sub>374</sub>	L <sub>375</sub>	L <sub>376</sub>	L <sub>377</sub>	L <sub>378</sub>	L <sub>379</sub>	L <sub>380</sub>	L <sub>381</sub>	L <sub>382</sub>	L <sub>383</sub>	L <sub>384</sub>	L <sub>385</sub>	L <sub>386</sub>	L <sub>387</sub>	L <sub>388</sub>	L <sub>389</sub>	L <sub>390</sub>	L <sub>391</sub>	L <sub>392</sub>	L <sub>393</sub>	L <sub>394</sub>	L <sub>395</sub>	L <sub>396</sub>	L <sub>397</sub>	L <sub>398</sub>	L <sub>399</sub>	L <sub>400</sub>	L <sub>401</sub>	L <sub>402</sub>	L <sub>403</sub>	L <sub>404</sub>	L <sub>405</sub>	L <sub>406</sub>	L <sub>407</sub>	L <sub>408</sub>	L <sub>409</sub>	L <sub>410</sub>	L <sub>411</sub>	L <sub>412</sub>	L <sub>413</sub>	L <sub>414</sub>	L <sub>415</sub>	L <sub>416</sub>	L <sub>417</sub>	L <sub>418</sub>	L <sub>419</sub>	L <sub>420</sub>	L <sub>421</sub>	L <sub>422</sub>	L <sub>423</sub>	L <sub>424</sub>	L <sub>425</sub>	L <sub>426</sub>	L <sub>427</sub>	L <sub>428</sub>	L <sub>429</sub>	L <sub>430</sub>	L <sub>431</sub>	L <sub>432</sub>	L <sub>433</sub>	L <sub>434</sub>	L <sub>435</sub>	L <sub>436</sub>	L <sub>437</sub>	L <sub>438</sub>	L <sub>439</sub>	L <sub>440</sub>	L <sub>441</sub>	L <sub>442</sub>	L <sub>443</sub>	L <sub>444</sub>	L <sub>445</sub>	L <sub>446</sub>	L <sub>447</sub>	L <sub>448</sub>	L <sub>449</sub>	L <sub>450</sub>	L <sub>451</sub>	L <sub>452</sub>	L <sub>453</sub>	L <sub>454</sub>	L <sub>455</sub>	L <sub>456</sub>	L <sub>457</sub>	L <sub>458</sub>	L <sub>459</sub>	L <sub>460</sub>	L <sub>461</sub>	L <sub>462</sub>	L <sub>463</sub>	L <sub>464</sub>	L <sub>465</sub>	L <sub>466</sub>	L <sub>467</sub>	L <sub>468</sub>	L <sub>469</sub>	L <sub>470</sub>	L <sub>471</sub>	L <sub>472</sub>	L <sub>473</sub>	L <sub>474</sub>	L <sub>475</sub>	L <sub>476</sub>	L <sub>477</sub>	L <sub>478</sub>	L <sub>479</sub>	L <sub>480</sub>	L <sub>481</sub>	L <sub>482</sub>	L <sub>483</sub>	L <sub>484</sub>	L <sub>485</sub>	L <sub>486</sub>	L <sub>487</sub>	L <sub>488</sub>	L <sub>489</sub>	L <sub>490</sub>	L <sub>491</sub>	L <sub>492</sub>	L <sub>493</sub>	L <sub>494</sub>	L <sub>495</sub>	L <sub>496</sub>	L <sub>497</sub>	L <sub>498</sub>	L <sub>499</sub>	L <sub>500</sub>	L <sub>501</sub>	L <sub>502</sub>	L <sub>503</sub>	L <sub>504</sub>	L <sub>505</sub>	L <sub>506</sub>	L <sub>507</sub>	L <sub>508</sub>	L <sub>509</sub>	L <sub>510</sub>	L <sub>511</sub>	L <sub>512</sub>	L <sub>513</sub>	L <sub>514</sub>	L <sub>515</sub>	L <sub>516</sub>	L <sub>517</sub>	L <sub>518</sub>	L <sub>519</sub>	L <sub>520</sub>	L <sub>521</sub>	L <sub>522</sub>	L <sub>523</sub>	L <sub>524</sub>	L <sub>525</sub>	L <sub>526</sub>	L <sub>527</sub>	L <sub>528</sub>	L <sub>529</sub>	L <sub>530</sub>	L <sub>531</sub>	L <sub>532</sub>	L <sub>533</sub>	L <sub>534</sub>	L <sub>535</sub>	L <sub>536</sub>	L <sub>537</sub>	L <sub>538</sub>	L <sub>539</sub>	L <sub>540</sub>	L <sub>541</sub>	L <sub>542</sub>	L <sub>543</sub>	L <sub>544</sub>	L <sub>545</sub>	L <sub>546</sub>	L <sub>547</sub>	L <sub>548</sub>	L <sub>549</sub>	L <sub>550</sub>	L <sub>551</sub>	L <sub>552</sub>	L <sub>553</sub>	L <sub>554</sub>	L <sub>555</sub>	L <sub>556</sub>	L <sub>557</sub>	L <sub>558</sub>	L <sub>559</sub>	L <sub>560</sub>	L <sub>561</sub>	L <sub>562</sub>	L <sub>563</sub>	L <sub>564</sub>	L <sub>565</sub>	L <sub>566</sub>	L <sub>567</sub>	L <sub>568</sub>	L <sub>569</sub>	L <sub>570</sub>	L <sub>571</sub>	L <sub>572</sub>	L <sub>573</sub>	L <sub>574</sub>	L <sub>575</sub>	L <sub>576</sub>	L <sub>577</sub>	L <sub>578</sub>	L <sub>579</sub>	L <sub>580</sub>	L <sub>581</sub>	L <sub>582</sub>	L <sub>583</sub>	L <sub>584</sub>	L <sub>585</sub>	L <sub>586</sub>	L <sub>587</sub>	L <sub>588</sub>	L <sub>589</sub>	L <sub>590</sub>	L <sub>591</sub>	L <sub>592</sub>	L <sub>593</sub>	L <sub>594</sub>	L <sub>595</sub>	L <sub>596</sub>	L <sub>597</sub>	L <sub>598</sub>	L <sub>599</sub>	L <sub>600</sub>	L <sub>601</sub>	L <sub>602</sub>	L <sub>603</sub>	L <sub>604</sub>	L <sub>605</sub>	L <sub>606</sub>	L <sub>607</sub>	L <sub>608</sub>	L <sub>609</sub>	L <sub>610</sub>	L <sub>611</sub>	L <sub>612</sub>	L <sub>613</sub>	L <sub>614</sub>	L <sub>615</sub>	L <sub>616</sub>	L <sub>617</sub>	L <sub>618</sub>	L <sub>619</sub>	L <sub>620</sub>	L <sub>621</sub>	L <sub>622</sub>	L <sub>623</sub>	L <sub>624</sub>	L <sub>625</sub>	L <sub>626</sub>	L <sub>627</sub>	L <sub>628</sub>	L <sub>629</sub>	L <sub>630</sub>	L <sub>631</sub>	L <sub>632</sub>	L <sub>633</sub>	L <sub>634</sub>	L <sub>635</sub>	L <sub>636</sub>	L <sub>637</sub>	L <sub>638</sub>	L <sub>639</sub>	L <sub>640</sub>	L <sub>641</sub>	L <sub>642</sub>	L <sub>643</sub>	L <sub>644</sub>	L <sub>645</sub>	L <sub>646</sub>	L <sub>647</sub>	L <sub>648</sub>	L <sub>649</sub>	L <sub>650</sub>	L <sub>651</sub>	L <sub>652</sub>	L <sub>653</sub>	L <sub>654</sub>	L <sub>655</sub>	L <sub>656</sub>	L <sub>657</sub>	L <sub>658</sub>	L <sub>659</sub>	L <sub>660</sub>	L <sub>661</sub>	L <sub>662</sub>	L <sub>663</sub>	L <sub>664</sub>	L <sub>665</sub>	L <sub>666</sub>	L <sub>667</sub>	L <sub>668</sub>	L <sub>669</sub>	L <sub>670</sub>	L <sub>671</sub>	L <sub>672</sub>	L <sub>673</sub>	L <sub>674</sub>	L <sub>675</sub>	L <sub>676</sub>	L <sub>677</sub>	L <sub>678</sub>	L <sub>679</sub>	L <sub>6</sub>
------------	------------	--	---	----------------	----------------	----------------	----------------	----------------	----------------	----------------	----------------	----------------	-----------------	-----------------	-----------------	-----------------	-----------------	-----------------	-----------------	-----------------	-----------------	-----------------	-----------------	-----------------	-----------------	-----------------	-----------------	-----------------	-----------------	-----------------	-----------------	-----------------	-----------------	-----------------	-----------------	-----------------	-----------------	-----------------	-----------------	-----------------	-----------------	-----------------	-----------------	-----------------	-----------------	-----------------	-----------------	-----------------	-----------------	-----------------	-----------------	-----------------	-----------------	-----------------	-----------------	-----------------	-----------------	-----------------	-----------------	-----------------	-----------------	-----------------	-----------------	-----------------	-----------------	-----------------	-----------------	-----------------	-----------------	-----------------	-----------------	-----------------	-----------------	-----------------	-----------------	-----------------	-----------------	-----------------	-----------------	-----------------	-----------------	-----------------	-----------------	-----------------	-----------------	-----------------	-----------------	-----------------	-----------------	-----------------	-----------------	-----------------	-----------------	-----------------	-----------------	-----------------	-----------------	-----------------	-----------------	-----------------	-----------------	-----------------	------------------	------------------	------------------	------------------	------------------	------------------	------------------	------------------	------------------	------------------	------------------	------------------	------------------	------------------	------------------	------------------	------------------	------------------	------------------	------------------	------------------	------------------	------------------	------------------	------------------	------------------	------------------	------------------	------------------	------------------	------------------	------------------	------------------	------------------	------------------	------------------	------------------	------------------	------------------	------------------	------------------	------------------	------------------	------------------	------------------	------------------	------------------	------------------	------------------	------------------	------------------	------------------	------------------	------------------	------------------	------------------	------------------	------------------	------------------	------------------	------------------	------------------	------------------	------------------	------------------	------------------	------------------	------------------	------------------	------------------	------------------	------------------	------------------	------------------	------------------	------------------	------------------	------------------	------------------	------------------	------------------	------------------	------------------	------------------	------------------	------------------	------------------	------------------	------------------	------------------	------------------	------------------	------------------	------------------	------------------	------------------	------------------	------------------	------------------	------------------	------------------	------------------	------------------	------------------	------------------	------------------	------------------	------------------	------------------	------------------	------------------	------------------	------------------	------------------	------------------	------------------	------------------	------------------	------------------	------------------	------------------	------------------	------------------	------------------	------------------	------------------	------------------	------------------	------------------	------------------	------------------	------------------	------------------	------------------	------------------	------------------	------------------	------------------	------------------	------------------	------------------	------------------	------------------	------------------	------------------	------------------	------------------	------------------	------------------	------------------	------------------	------------------	------------------	------------------	------------------	------------------	------------------	------------------	------------------	------------------	------------------	------------------	------------------	------------------	------------------	------------------	------------------	------------------	------------------	------------------	------------------	------------------	------------------	------------------	------------------	------------------	------------------	------------------	------------------	------------------	------------------	------------------	------------------	------------------	------------------	------------------	------------------	------------------	------------------	------------------	------------------	------------------	------------------	------------------	------------------	------------------	------------------	------------------	------------------	------------------	------------------	------------------	------------------	------------------	------------------	------------------	------------------	------------------	------------------	------------------	------------------	------------------	------------------	------------------	------------------	------------------	------------------	------------------	------------------	------------------	------------------	------------------	------------------	------------------	------------------	------------------	------------------	------------------	------------------	------------------	------------------	------------------	------------------	------------------	------------------	------------------	------------------	------------------	------------------	------------------	------------------	------------------	------------------	------------------	------------------	------------------	------------------	------------------	------------------	------------------	------------------	------------------	------------------	------------------	------------------	------------------	------------------	------------------	------------------	------------------	------------------	------------------	------------------	------------------	------------------	------------------	------------------	------------------	------------------	------------------	------------------	------------------	------------------	------------------	------------------	------------------	------------------	------------------	------------------	------------------	------------------	------------------	------------------	------------------	------------------	------------------	------------------	------------------	------------------	------------------	------------------	------------------	------------------	------------------	------------------	------------------	------------------	------------------	------------------	------------------	------------------	------------------	------------------	------------------	------------------	------------------	------------------	------------------	------------------	------------------	------------------	------------------	------------------	------------------	------------------	------------------	------------------	------------------	------------------	------------------	------------------	------------------	------------------	------------------	------------------	------------------	------------------	------------------	------------------	------------------	------------------	------------------	------------------	------------------	------------------	------------------	------------------	------------------	------------------	------------------	------------------	------------------	------------------	------------------	------------------	------------------	------------------	------------------	------------------	------------------	------------------	------------------	------------------	------------------	------------------	------------------	------------------	------------------	------------------	------------------	------------------	------------------	------------------	------------------	------------------	------------------	------------------	------------------	------------------	------------------	------------------	------------------	------------------	------------------	------------------	------------------	------------------	------------------	------------------	------------------	------------------	------------------	------------------	------------------	------------------	------------------	------------------	------------------	------------------	------------------	------------------	------------------	------------------	------------------	------------------	------------------	------------------	------------------	------------------	------------------	------------------	------------------	------------------	------------------	------------------	------------------	------------------	------------------	------------------	------------------	------------------	------------------	------------------	------------------	------------------	------------------	------------------	------------------	------------------	------------------	------------------	------------------	------------------	------------------	------------------	------------------	------------------	------------------	------------------	------------------	------------------	------------------	------------------	------------------	------------------	------------------	------------------	------------------	------------------	------------------	------------------	------------------	------------------	------------------	------------------	------------------	------------------	------------------	------------------	------------------	------------------	------------------	------------------	------------------	------------------	------------------	------------------	------------------	------------------	------------------	------------------	------------------	------------------	------------------	------------------	------------------	------------------	------------------	------------------	------------------	------------------	------------------	------------------	------------------	------------------	------------------	------------------	------------------	------------------	------------------	------------------	------------------	------------------	------------------	------------------	------------------	------------------	------------------	------------------	------------------	------------------	------------------	------------------	------------------	------------------	------------------	------------------	------------------	------------------	------------------	------------------	------------------	------------------	------------------	------------------	------------------	------------------	------------------	------------------	------------------	------------------	------------------	------------------	------------------	------------------	------------------	------------------	------------------	------------------	------------------	------------------	------------------	------------------	------------------	------------------	------------------	------------------	------------------	------------------	------------------	------------------	------------------	------------------	------------------	------------------	------------------	------------------	------------------	------------------	------------------	------------------	------------------	------------------	------------------	------------------	------------------	------------------	------------------	------------------	------------------	------------------	------------------	------------------	------------------	------------------	------------------	------------------	------------------	------------------	------------------	------------------	------------------	------------------	------------------	------------------	------------------	------------------	------------------	------------------	------------------	------------------	------------------	------------------	------------------	------------------	------------------	------------------	------------------	------------------	------------------	----------------



◎ ZJ型渣浆泵直联传动安装尺寸 ( 共同底座 )

项目 ITEM	电动机 MOTORS		L	L <sub>1</sub>	L <sub>2</sub>	L <sub>3</sub>	L <sub>4</sub>	L <sub>5</sub>	L <sub>6</sub>	L <sub>7</sub>	L <sub>8</sub>	L <sub>9</sub>	L <sub>10</sub>	L <sub>11</sub>	L <sub>12</sub>	L <sub>13</sub>	L <sub>14</sub>	L <sub>15</sub>	L <sub>16</sub>	L <sub>17</sub>	L <sub>18</sub>	L <sub>19</sub>	L <sub>20</sub>	L <sub>21</sub>	L <sub>22</sub>	L <sub>23</sub>	L <sub>24</sub>	L <sub>25</sub>	L <sub>26</sub>	L <sub>27</sub>	L <sub>28</sub>	L <sub>29</sub>	L <sub>30</sub>	L <sub>31</sub>	L <sub>32</sub>	L <sub>33</sub>	L <sub>34</sub>	L <sub>35</sub>	L <sub>36</sub>	L <sub>37</sub>	L <sub>38</sub>	L <sub>39</sub>	L <sub>40</sub>	L <sub>41</sub>	L <sub>42</sub>	L <sub>43</sub>	L <sub>44</sub>	L <sub>45</sub>	L <sub>46</sub>	L <sub>47</sub>	L <sub>48</sub>	L <sub>49</sub>	L <sub>50</sub>	L <sub>51</sub>	L <sub>52</sub>	L <sub>53</sub>	L <sub>54</sub>	L <sub>55</sub>	L <sub>56</sub>	L <sub>57</sub>	L <sub>58</sub>	L <sub>59</sub>	L <sub>60</sub>	L <sub>61</sub>	L <sub>62</sub>	L <sub>63</sub>	L <sub>64</sub>	L <sub>65</sub>	L <sub>66</sub>	L <sub>67</sub>	L <sub>68</sub>	L <sub>69</sub>	L <sub>70</sub>	L <sub>71</sub>	L <sub>72</sub>	L <sub>73</sub>	L <sub>74</sub>	L <sub>75</sub>	L <sub>76</sub>	L <sub>77</sub>	L <sub>78</sub>	L <sub>79</sub>	L <sub>80</sub>	L <sub>81</sub>	L <sub>82</sub>	L <sub>83</sub>	L <sub>84</sub>	L <sub>85</sub>	L <sub>86</sub>	L <sub>87</sub>	L <sub>88</sub>	L <sub>89</sub>	L <sub>90</sub>	L <sub>91</sub>	L <sub>92</sub>	L <sub>93</sub>	L <sub>94</sub>	L <sub>95</sub>	L <sub>96</sub>	L <sub>97</sub>	L <sub>98</sub>	L <sub>99</sub>	L <sub>100</sub>	L <sub>101</sub>	L <sub>102</sub>	L <sub>103</sub>	L <sub>104</sub>	L <sub>105</sub>	L <sub>106</sub>	L <sub>107</sub>	L <sub>108</sub>	L <sub>109</sub>	L <sub>110</sub>	L <sub>111</sub>	L <sub>112</sub>	L <sub>113</sub>	L <sub>114</sub>	L <sub>115</sub>	L <sub>116</sub>	L <sub>117</sub>	L <sub>118</sub>	L <sub>119</sub>	L <sub>120</sub>	L <sub>121</sub>	L <sub>122</sub>	L <sub>123</sub>	L <sub>124</sub>	L <sub>125</sub>	L <sub>126</sub>	L <sub>127</sub>	L <sub>128</sub>	L <sub>129</sub>	L <sub>130</sub>	L <sub>131</sub>	L <sub>132</sub>	L <sub>133</sub>	L <sub>134</sub>	L <sub>135</sub>	L <sub>136</sub>	L <sub>137</sub>	L <sub>138</sub>	L <sub>139</sub>	L <sub>140</sub>	L <sub>141</sub>	L <sub>142</sub>	L <sub>143</sub>	L <sub>144</sub>	L <sub>145</sub>	L <sub>146</sub>	L <sub>147</sub>	L <sub>148</sub>	L <sub>149</sub>	L <sub>150</sub>	L <sub>151</sub>	L <sub>152</sub>	L <sub>153</sub>	L <sub>154</sub>	L <sub>155</sub>	L <sub>156</sub>	L <sub>157</sub>	L <sub>158</sub>	L <sub>159</sub>	L <sub>160</sub>	L <sub>161</sub>	L <sub>162</sub>	L <sub>163</sub>	L <sub>164</sub>	L <sub>165</sub>	L <sub>166</sub>	L <sub>167</sub>	L <sub>168</sub>	L <sub>169</sub>	L <sub>170</sub>	L <sub>171</sub>	L <sub>172</sub>	L <sub>173</sub>	L <sub>174</sub>	L <sub>175</sub>	L <sub>176</sub>	L <sub>177</sub>	L <sub>178</sub>	L <sub>179</sub>	L <sub>180</sub>	L <sub>181</sub>	L <sub>182</sub>	L <sub>183</sub>	L <sub>184</sub>	L <sub>185</sub>	L <sub>186</sub>	L <sub>187</sub>	L <sub>188</sub>	L <sub>189</sub>	L <sub>190</sub>	L <sub>191</sub>	L <sub>192</sub>	L <sub>193</sub>	L <sub>194</sub>	L <sub>195</sub>	L <sub>196</sub>	L <sub>197</sub>	L <sub>198</sub>	L <sub>199</sub>	L <sub>200</sub>	L <sub>201</sub>	L <sub>202</sub>	L <sub>203</sub>	L <sub>204</sub>	L <sub>205</sub>	L <sub>206</sub>	L <sub>207</sub>	L <sub>208</sub>	L <sub>209</sub>	L <sub>210</sub>	L <sub>211</sub>	L <sub>212</sub>	L <sub>213</sub>	L <sub>214</sub>	L <sub>215</sub>	L <sub>216</sub>	L <sub>217</sub>	L <sub>218</sub>	L <sub>219</sub>	L <sub>220</sub>	L <sub>221</sub>	L <sub>222</sub>	L <sub>223</sub>	L <sub>224</sub>	L <sub>225</sub>	L <sub>226</sub>	L <sub>227</sub>	L <sub>228</sub>	L <sub>229</sub>	L <sub>230</sub>	L <sub>231</sub>	L <sub>232</sub>	L <sub>233</sub>	L <sub>234</sub>	L <sub>235</sub>	L <sub>236</sub>	L <sub>237</sub>	L <sub>238</sub>	L <sub>239</sub>	L <sub>240</sub>	L <sub>241</sub>	L <sub>242</sub>	L <sub>243</sub>	L <sub>244</sub>	L <sub>245</sub>	L <sub>246</sub>	L <sub>247</sub>	L <sub>248</sub>	L <sub>249</sub>	L <sub>250</sub>	L <sub>251</sub>	L <sub>252</sub>	L <sub>253</sub>	L <sub>254</sub>	L <sub>255</sub>	L <sub>256</sub>	L <sub>257</sub>	L <sub>258</sub>	L <sub>259</sub>	L <sub>260</sub>	L <sub>261</sub>	L <sub>262</sub>	L <sub>263</sub>	L <sub>264</sub>	L <sub>265</sub>	L <sub>266</sub>	L <sub>267</sub>	L <sub>268</sub>	L <sub>269</sub>	L <sub>270</sub>	L <sub>271</sub>	L <sub>272</sub>	L <sub>273</sub>	L <sub>274</sub>	L <sub>275</sub>	L <sub>276</sub>	L <sub>277</sub>	L <sub>278</sub>	L <sub>279</sub>	L <sub>280</sub>	L <sub>281</sub>	L <sub>282</sub>	L <sub>283</sub>	L <sub>284</sub>	L <sub>285</sub>	L <sub>286</sub>	L <sub>287</sub>	L <sub>288</sub>	L <sub>289</sub>	L <sub>290</sub>	L <sub>291</sub>	L <sub>292</sub>	L <sub>293</sub>	L <sub>294</sub>	L <sub>295</sub>	L <sub>296</sub>	L <sub>297</sub>	L <sub>298</sub>	L <sub>299</sub>	L <sub>300</sub>	L <sub>301</sub>	L <sub>302</sub>	L <sub>303</sub>	L <sub>304</sub>	L <sub>305</sub>	L <sub>306</sub>	L <sub>307</sub>	L <sub>308</sub>	L <sub>309</sub>	L <sub>310</sub>	L <sub>311</sub>	L <sub>312</sub>	L <sub>313</sub>	L <sub>314</sub>	L <sub>315</sub>	L <sub>316</sub>	L <sub>317</sub>	L <sub>318</sub>	L <sub>319</sub>	L <sub>320</sub>	L <sub>321</sub>	L <sub>322</sub>	L <sub>323</sub>	L <sub>324</sub>	L <sub>325</sub>	L <sub>326</sub>	L <sub>327</sub>	L <sub>328</sub>	L <sub>329</sub>	L <sub>330</sub>	L <sub>331</sub>	L <sub>332</sub>	L <sub>333</sub>	L <sub>334</sub>	L <sub>335</sub>	L <sub>336</sub>	L <sub>337</sub>	L <sub>338</sub>	L <sub>339</sub>	L <sub>340</sub>	L <sub>341</sub>	L <sub>342</sub>	L <sub>343</sub>	L <sub>344</sub>	L <sub>345</sub>	L <sub>346</sub>	L <sub>347</sub>	L <sub>348</sub>	L <sub>349</sub>	L <sub>350</sub>	L <sub>351</sub>	L <sub>352</sub>	L <sub>353</sub>	L <sub>354</sub>	L <sub>355</sub>	L <sub>356</sub>	L <sub>357</sub>	L <sub>358</sub>	L <sub>359</sub>	L <sub>360</sub>	L <sub>361</sub>	L <sub>362</sub>	L <sub>363</sub>	L <sub>364</sub>	L <sub>365</sub>	L <sub>366</sub>	L <sub>367</sub>	L <sub>368</sub>	L <sub>369</sub>	L <sub>370</sub>	L <sub>371</sub>	L <sub>372</sub>	L <sub>373</sub>	L <sub>374</sub>	L <sub>375</sub>	L <sub>376</sub>	L <sub>377</sub>	L <sub>378</sub>	L <sub>379</sub>	L <sub>380</sub>	L <sub>381</sub>	L <sub>382</sub>	L <sub>383</sub>	L <sub>384</sub>	L <sub>385</sub>	L <sub>386</sub>	L <sub>387</sub>	L <sub>388</sub>	L <sub>389</sub>	L <sub>390</sub>	L <sub>391</sub>	L <sub>392</sub>	L <sub>393</sub>	L <sub>394</sub>	L <sub>395</sub>	L <sub>396</sub>	L <sub>397</sub>	L <sub>398</sub>	L <sub>399</sub>	L <sub>400</sub>	L <sub>401</sub>	L <sub>402</sub>	L <sub>403</sub>	L <sub>404</sub>	L <sub>405</sub>	L <sub>406</sub>	L <sub>407</sub>	L <sub>408</sub>	L <sub>409</sub>	L <sub>410</sub>	L <sub>411</sub>	L <sub>412</sub>	L <sub>413</sub>	L <sub>414</sub>	L <sub>415</sub>	L <sub>416</sub>	L <sub>417</sub>	L <sub>418</sub>	L <sub>419</sub>	L <sub>420</sub>	L <sub>421</sub>	L <sub>422</sub>	L <sub>423</sub>	L <sub>424</sub>	L <sub>425</sub>	L <sub>426</sub>	L <sub>427</sub>	L <sub>428</sub>	L <sub>429</sub>	L <sub>430</sub>	L <sub>431</sub>	L <sub>432</sub>	L <sub>433</sub>	L <sub>434</sub>	L <sub>435</sub>	L <sub>436</sub>	L <sub>437</sub>	L <sub>438</sub>	L <sub>439</sub>	L <sub>440</sub>	L <sub>441</sub>	L <sub>442</sub>	L <sub>443</sub>	L <sub>444</sub>	L <sub>445</sub>	L <sub>446</sub>	L <sub>447</sub>	L <sub>448</sub>	L <sub>449</sub>	L <sub>450</sub>	L <sub>451</sub>	L <sub>452</sub>	L <sub>453</sub>	L <sub>454</sub>	L <sub>455</sub>	L <sub>456</sub>	L <sub>457</sub>	L <sub>458</sub>	L <sub>459</sub>	L <sub>460</sub>	L <sub>461</sub>	L <sub>462</sub>	L <sub>463</sub>	L <sub>464</sub>	L <sub>465</sub>	L <sub>466</sub>	L <sub>467</sub>	L <sub>468</sub>	L <sub>469</sub>	L <sub>470</sub>	L <sub>471</sub>	L <sub>472</sub>	L <sub>473</sub>	L <sub>474</sub>	L <sub>475</sub>	L <sub>476</sub>	L <sub>477</sub>	L <sub>478</sub>	L <sub>479</sub>	L <sub>480</sub>	L <sub>481</sub>	L <sub>482</sub>	L <sub>483</sub>	L <sub>484</sub>	L <sub>485</sub>	L <sub>486</sub>	L <sub>487</sub>	L <sub>488</sub>	L <sub>489</sub>	L <sub>490</sub>	L <sub>491</sub>	L <sub>492</sub>	L <sub>493</sub>	L <sub>494</sub>	L <sub>495</sub>	L <sub>496</sub>	L <sub>497</sub>	L <sub>498</sub>	L <sub>499</sub>	L <sub>500</sub>	L <sub>501</sub>	L <sub>502</sub>	L <sub>503</sub>	L <sub>504</sub>	L <sub>505</sub>	L <sub>506</sub>	L <sub>507</sub>	L <sub>508</sub>	L <sub>509</sub>	L <sub>510</sub>	L <sub>511</sub>	L <sub>512</sub>	L <sub>513</sub>	L <sub>514</sub>	L <sub>515</sub>	L <sub>516</sub>	L <sub>517</sub>	L <sub>518</sub>	L <sub>519</sub>	L <sub>520</sub>	L <sub>521</sub>	L <sub>522</sub>	L <sub>523</sub>	L <sub>524</sub>	L <sub>525</sub>	L <sub>526</sub>	L <sub>527</sub>	L <sub>528</sub>	L <sub>529</sub>	L <sub>530</sub>	L <sub>531</sub>	L <sub>532</sub>	L <sub>533</sub>	L <sub>534</sub>	L <sub>535</sub>	L <sub>536</sub>	L <sub>537</sub>	L <sub>538</sub>	L <sub>539</sub>	L <sub>540</sub>	L <sub>541</sub>	L <sub>542</sub>	L <sub>543</sub>	L <sub>544</sub>	L <sub>545</sub>	L <sub>546</sub>	L <sub>547</sub>	L <sub>548</sub>	L <sub>549</sub>	L <sub>550</sub>	L <sub>551</sub>	L <sub>552</sub>	L <sub>553</sub>	L <sub>554</sub>	L <sub>555</sub>	L <sub>556</sub>	L <sub>557</sub>	L <sub>558</sub>	L <sub>559</sub>	L <sub>560</sub>	L <sub>561</sub>	L <sub>562</sub>	L <sub>563</sub>	L <sub>564</sub>	L <sub>565</sub>	L <sub>566</sub>	L <sub>567</sub>	L <sub>568</sub>	L <sub>569</sub>	L <sub>570</sub>	L <sub>571</sub>	L <sub>572</sub>	L <sub>573</sub>	L <sub>574</sub>	L <sub>575</sub>	L <sub>576</sub>	L <sub>577</sub>	L <sub>578</sub>	L <sub>579</sub>	L <sub>580</sub>	L <sub>581</sub>	L <sub>582</sub>	L <sub>583</sub>	L <sub>584</sub>	L <sub>585</sub>	L <sub>586</sub>	L <sub>587</sub>	L <sub>588</sub>	L <sub>589</sub>	L <sub>590</sub>	L <sub>591</sub>	L <sub>592</sub>	L <sub>593</sub>	L <sub>594</sub>	L <sub>595</sub>	L <sub>596</sub>	L <sub>597</sub>	L <sub>598</sub>	L <sub>599</sub>	L <sub>600</sub>	L <sub>601</sub>	L <sub>602</sub>	L <sub>603</sub>	L <sub>604</sub>	L <sub>605</sub>	L <sub>606</sub>	L <sub>607</sub>	L <sub>608</sub>	L <sub>609</sub>	L <sub>610</sub>	L <sub>611</sub>	L <sub>612</sub>	L <sub>613</sub>	L <sub>614</sub>	L <sub>615</sub>	L <sub>616</sub>	L <sub>617</sub>	L <sub>618</sub>	L <sub>619</sub>	L <sub>620</sub>	L <sub>621</sub>	L <sub>622</sub>	L <sub>623</sub>	L <sub>624</sub>	L <sub>625</sub>	L <sub>626</sub>	L <sub>627</sub>	L <sub>628</sub>	L <sub>629</sub>	L <sub>630</sub>	L <sub>631</sub>	L <sub>632</sub>	L <sub>633</sub>	L <sub>634</sub>	L <sub>635</sub>	L <sub>636</sub>	L <sub>637</sub>	L <sub>638</sub>	L <sub>639</sub>	L <sub>640</sub>	L <sub>641</sub>	L <sub>642</sub>	L <sub>643</sub>	L <sub>644</sub>	L <sub>645</sub>	L <sub>646</sub>	L <sub>647</sub>	L <sub>648</sub>	L <sub>649</sub>	L <sub>650</sub>	L <sub>651</sub>	L <sub>652</sub>	L <sub>653</sub>	L <sub>654</sub>	L <sub>655</sub>	L <sub>656</sub>	L <sub>657</sub>	L <sub>658</sub>	L <sub>659</sub>	L <sub>660</sub>	L <sub>661</sub>	L <sub>662</sub>	L <sub>663</sub>	L <sub>664</sub>	L <sub>665</sub>	L <sub>666</sub>	L <sub>667</sub>	L <sub>668</sub>	L <sub>669</sub>	L <sub>670</sub>	L <sub>671</sub>	L <sub>672</sub>	L <sub>673</sub>	L <sub>674</sub>	L <sub>675</sub>	L <sub>676</sub>	L <sub>677</sub>	L <sub>678</sub>	L <sub>679</sub>	L<
------------	------------	--	---	----------------	----------------	----------------	----------------	----------------	----------------	----------------	----------------	----------------	-----------------	-----------------	-----------------	-----------------	-----------------	-----------------	-----------------	-----------------	-----------------	-----------------	-----------------	-----------------	-----------------	-----------------	-----------------	-----------------	-----------------	-----------------	-----------------	-----------------	-----------------	-----------------	-----------------	-----------------	-----------------	-----------------	-----------------	-----------------	-----------------	-----------------	-----------------	-----------------	-----------------	-----------------	-----------------	-----------------	-----------------	-----------------	-----------------	-----------------	-----------------	-----------------	-----------------	-----------------	-----------------	-----------------	-----------------	-----------------	-----------------	-----------------	-----------------	-----------------	-----------------	-----------------	-----------------	-----------------	-----------------	-----------------	-----------------	-----------------	-----------------	-----------------	-----------------	-----------------	-----------------	-----------------	-----------------	-----------------	-----------------	-----------------	-----------------	-----------------	-----------------	-----------------	-----------------	-----------------	-----------------	-----------------	-----------------	-----------------	-----------------	-----------------	-----------------	-----------------	-----------------	-----------------	-----------------	-----------------	-----------------	-----------------	------------------	------------------	------------------	------------------	------------------	------------------	------------------	------------------	------------------	------------------	------------------	------------------	------------------	------------------	------------------	------------------	------------------	------------------	------------------	------------------	------------------	------------------	------------------	------------------	------------------	------------------	------------------	------------------	------------------	------------------	------------------	------------------	------------------	------------------	------------------	------------------	------------------	------------------	------------------	------------------	------------------	------------------	------------------	------------------	------------------	------------------	------------------	------------------	------------------	------------------	------------------	------------------	------------------	------------------	------------------	------------------	------------------	------------------	------------------	------------------	------------------	------------------	------------------	------------------	------------------	------------------	------------------	------------------	------------------	------------------	------------------	------------------	------------------	------------------	------------------	------------------	------------------	------------------	------------------	------------------	------------------	------------------	------------------	------------------	------------------	------------------	------------------	------------------	------------------	------------------	------------------	------------------	------------------	------------------	------------------	------------------	------------------	------------------	------------------	------------------	------------------	------------------	------------------	------------------	------------------	------------------	------------------	------------------	------------------	------------------	------------------	------------------	------------------	------------------	------------------	------------------	------------------	------------------	------------------	------------------	------------------	------------------	------------------	------------------	------------------	------------------	------------------	------------------	------------------	------------------	------------------	------------------	------------------	------------------	------------------	------------------	------------------	------------------	------------------	------------------	------------------	------------------	------------------	------------------	------------------	------------------	------------------	------------------	------------------	------------------	------------------	------------------	------------------	------------------	------------------	------------------	------------------	------------------	------------------	------------------	------------------	------------------	------------------	------------------	------------------	------------------	------------------	------------------	------------------	------------------	------------------	------------------	------------------	------------------	------------------	------------------	------------------	------------------	------------------	------------------	------------------	------------------	------------------	------------------	------------------	------------------	------------------	------------------	------------------	------------------	------------------	------------------	------------------	------------------	------------------	------------------	------------------	------------------	------------------	------------------	------------------	------------------	------------------	------------------	------------------	------------------	------------------	------------------	------------------	------------------	------------------	------------------	------------------	------------------	------------------	------------------	------------------	------------------	------------------	------------------	------------------	------------------	------------------	------------------	------------------	------------------	------------------	------------------	------------------	------------------	------------------	------------------	------------------	------------------	------------------	------------------	------------------	------------------	------------------	------------------	------------------	------------------	------------------	------------------	------------------	------------------	------------------	------------------	------------------	------------------	------------------	------------------	------------------	------------------	------------------	------------------	------------------	------------------	------------------	------------------	------------------	------------------	------------------	------------------	------------------	------------------	------------------	------------------	------------------	------------------	------------------	------------------	------------------	------------------	------------------	------------------	------------------	------------------	------------------	------------------	------------------	------------------	------------------	------------------	------------------	------------------	------------------	------------------	------------------	------------------	------------------	------------------	------------------	------------------	------------------	------------------	------------------	------------------	------------------	------------------	------------------	------------------	------------------	------------------	------------------	------------------	------------------	------------------	------------------	------------------	------------------	------------------	------------------	------------------	------------------	------------------	------------------	------------------	------------------	------------------	------------------	------------------	------------------	------------------	------------------	------------------	------------------	------------------	------------------	------------------	------------------	------------------	------------------	------------------	------------------	------------------	------------------	------------------	------------------	------------------	------------------	------------------	------------------	------------------	------------------	------------------	------------------	------------------	------------------	------------------	------------------	------------------	------------------	------------------	------------------	------------------	------------------	------------------	------------------	------------------	------------------	------------------	------------------	------------------	------------------	------------------	------------------	------------------	------------------	------------------	------------------	------------------	------------------	------------------	------------------	------------------	------------------	------------------	------------------	------------------	------------------	------------------	------------------	------------------	------------------	------------------	------------------	------------------	------------------	------------------	------------------	------------------	------------------	------------------	------------------	------------------	------------------	------------------	------------------	------------------	------------------	------------------	------------------	------------------	------------------	------------------	------------------	------------------	------------------	------------------	------------------	------------------	------------------	------------------	------------------	------------------	------------------	------------------	------------------	------------------	------------------	------------------	------------------	------------------	------------------	------------------	------------------	------------------	------------------	------------------	------------------	------------------	------------------	------------------	------------------	------------------	------------------	------------------	------------------	------------------	------------------	------------------	------------------	------------------	------------------	------------------	------------------	------------------	------------------	------------------	------------------	------------------	------------------	------------------	------------------	------------------	------------------	------------------	------------------	------------------	------------------	------------------	------------------	------------------	------------------	------------------	------------------	------------------	------------------	------------------	------------------	------------------	------------------	------------------	------------------	------------------	------------------	------------------	------------------	------------------	------------------	------------------	------------------	------------------	------------------	------------------	------------------	------------------	------------------	------------------	------------------	------------------	------------------	------------------	------------------	------------------	------------------	------------------	------------------	------------------	------------------	------------------	------------------	------------------	------------------	------------------	------------------	------------------	------------------	------------------	------------------	------------------	------------------	------------------	------------------	------------------	------------------	------------------	------------------	------------------	------------------	------------------	------------------	------------------	------------------	------------------	------------------	------------------	------------------	------------------	------------------	------------------	------------------	------------------	------------------	------------------	------------------	------------------	------------------	------------------	------------------	------------------	------------------	------------------	------------------	------------------	------------------	------------------	------------------	------------------	------------------	------------------	------------------	------------------	------------------	------------------	------------------	------------------	------------------	------------------	------------------	------------------	------------------	------------------	------------------	------------------	------------------	------------------	------------------	------------------	------------------	------------------	------------------	------------------	------------------	------------------	------------------	------------------	------------------	------------------	----

◎ ZJ型渣浆泵直联传动安装尺寸 (共同底座)

项目 Item	电动机 Motors		L	L <sub>1</sub>	L <sub>2</sub>	L <sub>3</sub>	L <sub>4</sub>	L <sub>5</sub>	L <sub>6</sub>	L <sub>7</sub>	L <sub>8</sub>	L <sub>9</sub>	L <sub>10</sub>	L <sub>11</sub>	L <sub>12</sub>	L <sub>13</sub>	L <sub>14</sub>	L <sub>15</sub>	L <sub>16</sub>	L <sub>17</sub>	L <sub>18</sub>	L <sub>19</sub>	L <sub>20</sub>	L <sub>21</sub>	L <sub>22</sub>	L <sub>23</sub>	L <sub>24</sub>	L <sub>25</sub>	L <sub>26</sub>	L <sub>27</sub>	L <sub>28</sub>	L <sub>29</sub>	L <sub>30</sub>	L <sub>31</sub>	L <sub>32</sub>	L <sub>33</sub>	L <sub>34</sub>	L <sub>35</sub>	L <sub>36</sub>	L <sub>37</sub>	L <sub>38</sub>	L <sub>39</sub>	L <sub>40</sub>	L <sub>41</sub>	L <sub>42</sub>	L <sub>43</sub>	L <sub>44</sub>	L <sub>45</sub>	L <sub>46</sub>	L <sub>47</sub>	L <sub>48</sub>	L <sub>49</sub>	L <sub>50</sub>	L <sub>51</sub>	L <sub>52</sub>	L <sub>53</sub>	L <sub>54</sub>	L <sub>55</sub>	L <sub>56</sub>	L <sub>57</sub>	L <sub>58</sub>	L <sub>59</sub>	L <sub>60</sub>	L <sub>61</sub>	L <sub>62</sub>	L <sub>63</sub>	L <sub>64</sub>	L <sub>65</sub>	L <sub>66</sub>	L <sub>67</sub>	L <sub>68</sub>	L <sub>69</sub>	L <sub>70</sub>	L <sub>71</sub>	L <sub>72</sub>	L <sub>73</sub>	L <sub>74</sub>	L <sub>75</sub>	L <sub>76</sub>	L <sub>77</sub>	L <sub>78</sub>	L <sub>79</sub>	L <sub>80</sub>	L <sub>81</sub>	L <sub>82</sub>	L <sub>83</sub>	L <sub>84</sub>	L <sub>85</sub>	L <sub>86</sub>	L <sub>87</sub>	L <sub>88</sub>	L <sub>89</sub>	L <sub>90</sub>	L <sub>91</sub>	L <sub>92</sub>	L <sub>93</sub>	L <sub>94</sub>	L <sub>95</sub>	L <sub>96</sub>	L <sub>97</sub>	L <sub>98</sub>	L <sub>99</sub>	L <sub>100</sub>	L <sub>101</sub>	L <sub>102</sub>	L <sub>103</sub>	L <sub>104</sub>	L <sub>105</sub>	L <sub>106</sub>	L <sub>107</sub>	L <sub>108</sub>	L <sub>109</sub>	L <sub>110</sub>	L <sub>111</sub>	L <sub>112</sub>	L <sub>113</sub>	L <sub>114</sub>	L <sub>115</sub>	L <sub>116</sub>	L <sub>117</sub>	L <sub>118</sub>	L <sub>119</sub>	L <sub>120</sub>	L <sub>121</sub>	L <sub>122</sub>	L <sub>123</sub>	L <sub>124</sub>	L <sub>125</sub>	L <sub>126</sub>	L <sub>127</sub>	L <sub>128</sub>	L <sub>129</sub>	L <sub>130</sub>	L <sub>131</sub>	L <sub>132</sub>	L <sub>133</sub>	L <sub>134</sub>	L <sub>135</sub>	L <sub>136</sub>	L <sub>137</sub>	L <sub>138</sub>	L <sub>139</sub>	L <sub>140</sub>	L <sub>141</sub>	L <sub>142</sub>	L <sub>143</sub>	L <sub>144</sub>	L <sub>145</sub>	L <sub>146</sub>	L <sub>147</sub>	L <sub>148</sub>	L <sub>149</sub>	L <sub>150</sub>	L <sub>151</sub>	L <sub>152</sub>	L <sub>153</sub>	L <sub>154</sub>	L <sub>155</sub>	L <sub>156</sub>	L <sub>157</sub>	L <sub>158</sub>	L <sub>159</sub>	L <sub>160</sub>	L <sub>161</sub>	L <sub>162</sub>	L <sub>163</sub>	L <sub>164</sub>	L <sub>165</sub>	L <sub>166</sub>	L <sub>167</sub>	L <sub>168</sub>	L <sub>169</sub>	L <sub>170</sub>	L <sub>171</sub>	L <sub>172</sub>	L <sub>173</sub>	L <sub>174</sub>	L <sub>175</sub>	L <sub>176</sub>	L <sub>177</sub>	L <sub>178</sub>	L <sub>179</sub>	L <sub>180</sub>	L <sub>181</sub>	L <sub>182</sub>	L <sub>183</sub>	L <sub>184</sub>	L <sub>185</sub>	L <sub>186</sub>	L <sub>187</sub>	L <sub>188</sub>	L <sub>189</sub>	L <sub>190</sub>	L <sub>191</sub>	L <sub>192</sub>	L <sub>193</sub>	L <sub>194</sub>	L <sub>195</sub>	L <sub>196</sub>	L <sub>197</sub>	L <sub>198</sub>	L <sub>199</sub>	L <sub>200</sub>	L <sub>201</sub>	L <sub>202</sub>	L <sub>203</sub>	L <sub>204</sub>	L <sub>205</sub>	L <sub>206</sub>	L <sub>207</sub>	L <sub>208</sub>	L <sub>209</sub>	L <sub>210</sub>	L <sub>211</sub>	L <sub>212</sub>	L <sub>213</sub>	L <sub>214</sub>	L <sub>215</sub>	L <sub>216</sub>	L <sub>217</sub>	L <sub>218</sub>	L <sub>219</sub>	L <sub>220</sub>	L <sub>221</sub>	L <sub>222</sub>	L <sub>223</sub>	L <sub>224</sub>	L <sub>225</sub>	L <sub>226</sub>	L <sub>227</sub>	L <sub>228</sub>	L <sub>229</sub>	L <sub>230</sub>	L <sub>231</sub>	L <sub>232</sub>	L <sub>233</sub>	L <sub>234</sub>	L <sub>235</sub>	L <sub>236</sub>	L <sub>237</sub>	L <sub>238</sub>	L <sub>239</sub>	L <sub>240</sub>	L <sub>241</sub>	L <sub>242</sub>	L <sub>243</sub>	L <sub>244</sub>	L <sub>245</sub>	L <sub>246</sub>	L <sub>247</sub>	L <sub>248</sub>	L <sub>249</sub>	L <sub>250</sub>	L <sub>251</sub>	L <sub>252</sub>	L <sub>253</sub>	L <sub>254</sub>	L <sub>255</sub>	L <sub>256</sub>	L <sub>257</sub>	L <sub>258</sub>	L <sub>259</sub>	L <sub>260</sub>	L <sub>261</sub>	L <sub>262</sub>	L <sub>263</sub>	L <sub>264</sub>	L <sub>265</sub>	L <sub>266</sub>	L <sub>267</sub>	L <sub>268</sub>	L <sub>269</sub>	L <sub>270</sub>	L <sub>271</sub>	L <sub>272</sub>	L <sub>273</sub>	L <sub>274</sub>	L <sub>275</sub>	L <sub>276</sub>	L <sub>277</sub>	L <sub>278</sub>	L <sub>279</sub>	L <sub>280</sub>	L <sub>281</sub>	L <sub>282</sub>	L <sub>283</sub>	L <sub>284</sub>	L <sub>285</sub>	L <sub>286</sub>	L <sub>287</sub>	L <sub>288</sub>	L <sub>289</sub>	L <sub>290</sub>	L <sub>291</sub>	L <sub>292</sub>	L <sub>293</sub>	L <sub>294</sub>	L <sub>295</sub>	L <sub>296</sub>	L <sub>297</sub>	L <sub>298</sub>	L <sub>299</sub>	L <sub>300</sub>	L <sub>301</sub>	L <sub>302</sub>	L <sub>303</sub>	L <sub>304</sub>	L <sub>305</sub>	L <sub>306</sub>	L <sub>307</sub>	L <sub>308</sub>	L <sub>309</sub>	L <sub>310</sub>	L <sub>311</sub>	L <sub>312</sub>	L <sub>313</sub>	L <sub>314</sub>	L <sub>315</sub>	L <sub>316</sub>	L <sub>317</sub>	L <sub>318</sub>	L <sub>319</sub>	L <sub>320</sub>	L <sub>321</sub>	L <sub>322</sub>	L <sub>323</sub>	L <sub>324</sub>	L <sub>325</sub>	L <sub>326</sub>	L <sub>327</sub>	L <sub>328</sub>	L <sub>329</sub>	L <sub>330</sub>	L <sub>331</sub>	L <sub>332</sub>	L <sub>333</sub>	L <sub>334</sub>	L <sub>335</sub>	L <sub>336</sub>	L <sub>337</sub>	L <sub>338</sub>	L <sub>339</sub>	L <sub>340</sub>	L <sub>341</sub>	L <sub>342</sub>	L <sub>343</sub>	L <sub>344</sub>	L <sub>345</sub>	L <sub>346</sub>	L <sub>347</sub>	L <sub>348</sub>	L <sub>349</sub>	L <sub>350</sub>	L <sub>351</sub>	L <sub>352</sub>	L <sub>353</sub>	L <sub>354</sub>	L <sub>355</sub>	L <sub>356</sub>	L <sub>357</sub>	L <sub>358</sub>	L <sub>359</sub>	L <sub>360</sub>	L <sub>361</sub>	L <sub>362</sub>	L <sub>363</sub>	L <sub>364</sub>	L <sub>365</sub>	L <sub>366</sub>	L <sub>367</sub>	L <sub>368</sub>	L <sub>369</sub>	L <sub>370</sub>	L <sub>371</sub>	L <sub>372</sub>	L <sub>373</sub>	L <sub>374</sub>	L <sub>375</sub>	L <sub>376</sub>	L <sub>377</sub>	L <sub>378</sub>	L <sub>379</sub>	L <sub>380</sub>	L <sub>381</sub>	L <sub>382</sub>	L <sub>383</sub>	L <sub>384</sub>	L <sub>385</sub>	L <sub>386</sub>	L <sub>387</sub>	L <sub>388</sub>	L <sub>389</sub>	L <sub>390</sub>	L <sub>391</sub>	L <sub>392</sub>	L <sub>393</sub>	L <sub>394</sub>	L <sub>395</sub>	L <sub>396</sub>	L <sub>397</sub>	L <sub>398</sub>	L <sub>399</sub>	L <sub>400</sub>	L <sub>401</sub>	L <sub>402</sub>	L <sub>403</sub>	L <sub>404</sub>	L <sub>405</sub>	L <sub>406</sub>	L <sub>407</sub>	L <sub>408</sub>	L <sub>409</sub>	L <sub>410</sub>	L <sub>411</sub>	L <sub>412</sub>	L <sub>413</sub>	L <sub>414</sub>	L <sub>415</sub>	L <sub>416</sub>	L <sub>417</sub>	L <sub>418</sub>	L <sub>419</sub>	L <sub>420</sub>	L <sub>421</sub>	L <sub>422</sub>	L <sub>423</sub>	L <sub>424</sub>	L <sub>425</sub>	L <sub>426</sub>	L <sub>427</sub>	L <sub>428</sub>	L <sub>429</sub>	L <sub>430</sub>	L <sub>431</sub>	L <sub>432</sub>	L <sub>433</sub>	L <sub>434</sub>	L <sub>435</sub>	L <sub>436</sub>	L <sub>437</sub>	L <sub>438</sub>	L <sub>439</sub>	L <sub>440</sub>	L <sub>441</sub>	L <sub>442</sub>	L <sub>443</sub>	L <sub>444</sub>	L <sub>445</sub>	L <sub>446</sub>	L <sub>447</sub>	L <sub>448</sub>	L <sub>449</sub>	L <sub>450</sub>	L <sub>451</sub>	L <sub>452</sub>	L <sub>453</sub>	L <sub>454</sub>	L <sub>455</sub>	L <sub>456</sub>	L <sub>457</sub>	L <sub>458</sub>	L <sub>459</sub>	L <sub>460</sub>	L <sub>461</sub>	L <sub>462</sub>	L <sub>463</sub>	L <sub>464</sub>	L <sub>465</sub>	L <sub>466</sub>	L <sub>467</sub>	L <sub>468</sub>	L <sub>469</sub>	L <sub>470</sub>	L <sub>471</sub>	L <sub>472</sub>	L <sub>473</sub>	L <sub>474</sub>	L <sub>475</sub>	L <sub>476</sub>	L <sub>477</sub>	L <sub>478</sub>	L <sub>479</sub>	L <sub>480</sub>	L <sub>481</sub>	L <sub>482</sub>	L <sub>483</sub>	L <sub>484</sub>	L <sub>485</sub>	L <sub>486</sub>	L <sub>487</sub>	L <sub>488</sub>	L <sub>489</sub>	L <sub>490</sub>	L <sub>491</sub>	L <sub>492</sub>	L <sub>493</sub>	L <sub>494</sub>	L <sub>495</sub>	L <sub>496</sub>	L <sub>497</sub>	L <sub>498</sub>	L <sub>499</sub>	L <sub>500</sub>	L <sub>501</sub>	L <sub>502</sub>	L <sub>503</sub>	L <sub>504</sub>	L <sub>505</sub>	L <sub>506</sub>	L <sub>507</sub>	L <sub>508</sub>	L <sub>509</sub>	L <sub>510</sub>	L <sub>511</sub>	L <sub>512</sub>	L <sub>513</sub>	L <sub>514</sub>	L <sub>515</sub>	L <sub>516</sub>	L <sub>517</sub>	L <sub>518</sub>	L <sub>519</sub>	L <sub>520</sub>	L <sub>521</sub>	L <sub>522</sub>	L <sub>523</sub>	L <sub>524</sub>	L <sub>525</sub>	L <sub>526</sub>	L <sub>527</sub>	L <sub>528</sub>	L <sub>529</sub>	L <sub>530</sub>	L <sub>531</sub>	L <sub>532</sub>	L <sub>533</sub>	L <sub>534</sub>	L <sub>535</sub>	L <sub>536</sub>	L <sub>537</sub>	L <sub>538</sub>	L <sub>539</sub>	L <sub>540</sub>	L <sub>541</sub>	L <sub>542</sub>	L <sub>543</sub>	L <sub>544</sub>	L <sub>545</sub>	L <sub>546</sub>	L <sub>547</sub>	L <sub>548</sub>	L <sub>549</sub>	L <sub>550</sub>	L <sub>551</sub>	L <sub>552</sub>	L <sub>553</sub>	L <sub>554</sub>	L <sub>555</sub>	L <sub>556</sub>	L <sub>557</sub>	L <sub>558</sub>	L <sub>559</sub>	L <sub>560</sub>	L <sub>561</sub>	L <sub>562</sub>	L <sub>563</sub>	L <sub>564</sub>	L <sub>565</sub>	L <sub>566</sub>	L <sub>567</sub>	L <sub>568</sub>	L <sub>569</sub>	L <sub>570</sub>	L <sub>571</sub>	L <sub>572</sub>	L <sub>573</sub>	L <sub>574</sub>	L <sub>575</sub>	L <sub>576</sub>	L <sub>577</sub>	L <sub>578</sub>	L <sub>579</sub>	L <sub>580</sub>	L <sub>581</sub>	L <sub>582</sub>	L <sub>583</sub>	L <sub>584</sub>	L <sub>585</sub>	L <sub>586</sub>	L <sub>587</sub>	L <sub>588</sub>	L <sub>589</sub>	L <sub>590</sub>	L <sub>591</sub>	L <sub>592</sub>	L <sub>593</sub>	L <sub>594</sub>	L <sub>595</sub>	L <sub>596</sub>	L <sub>597</sub>	L <sub>598</sub>	L <sub>599</sub>	L <sub>600</sub>	L <sub>601</sub>	L <sub>602</sub>	L <sub>603</sub>	L <sub>604</sub>	L <sub>605</sub>	L <sub>606</sub>	L <sub>607</sub>	L <sub>608</sub>	L <sub>609</sub>	L <sub>610</sub>	L <sub>611</sub>	L <sub>612</sub>	L <sub>613</sub>	L <sub>614</sub>	L <sub>615</sub>	L <sub>616</sub>	L <sub>617</sub>	L <sub>618</sub>	L <sub>619</sub>	L <sub>620</sub>	L <sub>621</sub>	L <sub>622</sub>	L <sub>623</sub>	L <sub>624</sub>	L <sub>625</sub>	L <sub>626</sub>	L <sub>627</sub>	L <sub>628</sub>	L <sub>629</sub>	L <sub>630</sub>	L <sub>631</sub>	L <sub>632</sub>	L <sub>633</sub>	L <sub>634</sub>	L <sub>635</sub>	L <sub>636</sub>	L <sub>637</sub>	L <sub>638</sub>	L <sub>639</sub>	L <sub>640</sub>	L <sub>641</sub>	L <sub>642</sub>	L <sub>643</sub>	L <sub>644</sub>	L <sub>645</sub>	L <sub>646</sub>	L <sub>647</sub>	L <sub>648</sub>	L <sub>649</sub>	L <sub>650</sub>	L <sub>651</sub>	L <sub>652</sub>	L <sub>653</sub>	L <sub>654</sub>	L <sub>655</sub>	L <sub>656</sub>	L <sub>657</sub>	L <sub>658</sub>	L <sub>659</sub>	L <sub>660</sub>	L <sub>661</sub>	L <sub>662</sub>	L <sub>663</sub>	L <sub>664</sub>	L <sub>665</sub>	L <sub>666</sub>	L <sub>667</sub>	L <sub>668</sub>	L <sub>669</sub>	L <sub>670</sub>	L <sub>671</sub>	L <sub>672</sub>	L <sub>673</sub>	L <sub>674</sub>	L <sub>675</sub>	L <sub>676</sub>	L <sub>677</sub>	L <sub>678</sub>	L <sub>679</sub>	L <sub>680</sub>
------------	------------	--	---	----------------	----------------	----------------	----------------	----------------	----------------	----------------	----------------	----------------	-----------------	-----------------	-----------------	-----------------	-----------------	-----------------	-----------------	-----------------	-----------------	-----------------	-----------------	-----------------	-----------------	-----------------	-----------------	-----------------	-----------------	-----------------	-----------------	-----------------	-----------------	-----------------	-----------------	-----------------	-----------------	-----------------	-----------------	-----------------	-----------------	-----------------	-----------------	-----------------	-----------------	-----------------	-----------------	-----------------	-----------------	-----------------	-----------------	-----------------	-----------------	-----------------	-----------------	-----------------	-----------------	-----------------	-----------------	-----------------	-----------------	-----------------	-----------------	-----------------	-----------------	-----------------	-----------------	-----------------	-----------------	-----------------	-----------------	-----------------	-----------------	-----------------	-----------------	-----------------	-----------------	-----------------	-----------------	-----------------	-----------------	-----------------	-----------------	-----------------	-----------------	-----------------	-----------------	-----------------	-----------------	-----------------	-----------------	-----------------	-----------------	-----------------	-----------------	-----------------	-----------------	-----------------	-----------------	-----------------	-----------------	-----------------	------------------	------------------	------------------	------------------	------------------	------------------	------------------	------------------	------------------	------------------	------------------	------------------	------------------	------------------	------------------	------------------	------------------	------------------	------------------	------------------	------------------	------------------	------------------	------------------	------------------	------------------	------------------	------------------	------------------	------------------	------------------	------------------	------------------	------------------	------------------	------------------	------------------	------------------	------------------	------------------	------------------	------------------	------------------	------------------	------------------	------------------	------------------	------------------	------------------	------------------	------------------	------------------	------------------	------------------	------------------	------------------	------------------	------------------	------------------	------------------	------------------	------------------	------------------	------------------	------------------	------------------	------------------	------------------	------------------	------------------	------------------	------------------	------------------	------------------	------------------	------------------	------------------	------------------	------------------	------------------	------------------	------------------	------------------	------------------	------------------	------------------	------------------	------------------	------------------	------------------	------------------	------------------	------------------	------------------	------------------	------------------	------------------	------------------	------------------	------------------	------------------	------------------	------------------	------------------	------------------	------------------	------------------	------------------	------------------	------------------	------------------	------------------	------------------	------------------	------------------	------------------	------------------	------------------	------------------	------------------	------------------	------------------	------------------	------------------	------------------	------------------	------------------	------------------	------------------	------------------	------------------	------------------	------------------	------------------	------------------	------------------	------------------	------------------	------------------	------------------	------------------	------------------	------------------	------------------	------------------	------------------	------------------	------------------	------------------	------------------	------------------	------------------	------------------	------------------	------------------	------------------	------------------	------------------	------------------	------------------	------------------	------------------	------------------	------------------	------------------	------------------	------------------	------------------	------------------	------------------	------------------	------------------	------------------	------------------	------------------	------------------	------------------	------------------	------------------	------------------	------------------	------------------	------------------	------------------	------------------	------------------	------------------	------------------	------------------	------------------	------------------	------------------	------------------	------------------	------------------	------------------	------------------	------------------	------------------	------------------	------------------	------------------	------------------	------------------	------------------	------------------	------------------	------------------	------------------	------------------	------------------	------------------	------------------	------------------	------------------	------------------	------------------	------------------	------------------	------------------	------------------	------------------	------------------	------------------	------------------	------------------	------------------	------------------	------------------	------------------	------------------	------------------	------------------	------------------	------------------	------------------	------------------	------------------	------------------	------------------	------------------	------------------	------------------	------------------	------------------	------------------	------------------	------------------	------------------	------------------	------------------	------------------	------------------	------------------	------------------	------------------	------------------	------------------	------------------	------------------	------------------	------------------	------------------	------------------	------------------	------------------	------------------	------------------	------------------	------------------	------------------	------------------	------------------	------------------	------------------	------------------	------------------	------------------	------------------	------------------	------------------	------------------	------------------	------------------	------------------	------------------	------------------	------------------	------------------	------------------	------------------	------------------	------------------	------------------	------------------	------------------	------------------	------------------	------------------	------------------	------------------	------------------	------------------	------------------	------------------	------------------	------------------	------------------	------------------	------------------	------------------	------------------	------------------	------------------	------------------	------------------	------------------	------------------	------------------	------------------	------------------	------------------	------------------	------------------	------------------	------------------	------------------	------------------	------------------	------------------	------------------	------------------	------------------	------------------	------------------	------------------	------------------	------------------	------------------	------------------	------------------	------------------	------------------	------------------	------------------	------------------	------------------	------------------	------------------	------------------	------------------	------------------	------------------	------------------	------------------	------------------	------------------	------------------	------------------	------------------	------------------	------------------	------------------	------------------	------------------	------------------	------------------	------------------	------------------	------------------	------------------	------------------	------------------	------------------	------------------	------------------	------------------	------------------	------------------	------------------	------------------	------------------	------------------	------------------	------------------	------------------	------------------	------------------	------------------	------------------	------------------	------------------	------------------	------------------	------------------	------------------	------------------	------------------	------------------	------------------	------------------	------------------	------------------	------------------	------------------	------------------	------------------	------------------	------------------	------------------	------------------	------------------	------------------	------------------	------------------	------------------	------------------	------------------	------------------	------------------	------------------	------------------	------------------	------------------	------------------	------------------	------------------	------------------	------------------	------------------	------------------	------------------	------------------	------------------	------------------	------------------	------------------	------------------	------------------	------------------	------------------	------------------	------------------	------------------	------------------	------------------	------------------	------------------	------------------	------------------	------------------	------------------	------------------	------------------	------------------	------------------	------------------	------------------	------------------	------------------	------------------	------------------	------------------	------------------	------------------	------------------	------------------	------------------	------------------	------------------	------------------	------------------	------------------	------------------	------------------	------------------	------------------	------------------	------------------	------------------	------------------	------------------	------------------	------------------	------------------	------------------	------------------	------------------	------------------	------------------	------------------	------------------	------------------	------------------	------------------	------------------	------------------	------------------	------------------	------------------	------------------	------------------	------------------	------------------	------------------	------------------	------------------	------------------	------------------	------------------	------------------	------------------	------------------	------------------	------------------	------------------	------------------	------------------	------------------	------------------	------------------	------------------	------------------	------------------	------------------	------------------	------------------	------------------	------------------	------------------	------------------	------------------	------------------	------------------	------------------	------------------	------------------	------------------	------------------	------------------	------------------	------------------	------------------	------------------	------------------	------------------	------------------	------------------	------------------	------------------	------------------	------------------	------------------	------------------	------------------	------------------	------------------	------------------	------------------	------------------	------------------	------------------	------------------	------------------	------------------	------------------	------------------	------------------	------------------	------------------	------------------	------------------	------------------	------------------	------------------	------------------	------------------	------------------	------------------	------------------	------------------